

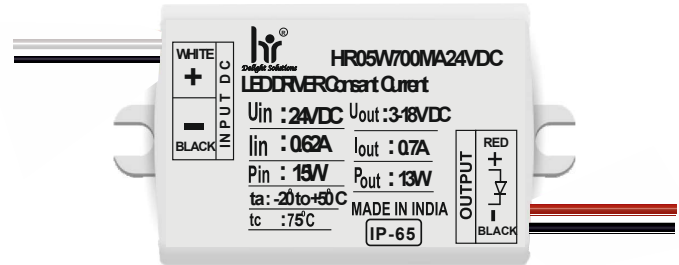


TECHNICAL DATA SHEET : DC-DC CONVERTER

Model No : HRI05W700MA24VDC

PRODUCT DESCRIPTION

Constant current DC-DC LED Driver.
Wide Input Operating Voltage
Wide Output Operating Voltage
Operates in buck topology.
Output Short Circuit Protection.
Input Reverse polarity protection
Max. Output Current 700mA.
Max Output Power 13W.
Nominal Life-Time Upto 30000 hrs.

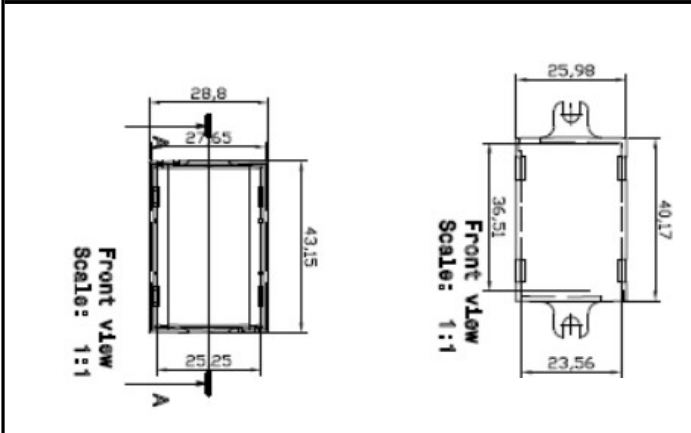


Input Characteristics		
1	Voltage (Un)	24Vdc
2	Operating Voltage Range	22-50
3	Fixed frequency (Hz)	450 KHz
4	Maximum Input Current	0.6A
5	Input Power (W)	3-16W

Output Characteristics	
Over Current Protection	Yes
Thermal Protection	Yes
Output Current	200-700mA
Output Voltage	3-18V
Output Power (W)	3-14W

Environmental Operating Details		
1	Max. Operating Temperature	-20°C ... to 50°C

Key Features	
• Compact Design	• Constant current
• Long Life	• High reliability
• High Durability	



Dimension	
1. Weight	30
2. PCB Dimensions	28X19
• Length W/Mount	57mm
• Center to Center (CTC)	52mm
• Width	29mm
• Height	21mm
3. Input / Output Wire	Wires
• Input wire Teflon (Vcc-White, GND-Black)	300mm
• Output wire Teflon (+DC-Red, -DC-Black)	300mm

Sr.GAT No. 8, A/P- Sasewadi, Taluka – Bhor Dist- Pune, Near Z.P. School, Sasewadi Pune -412205, MAHARASHTRA (INDIA)

Email : marketing@hrindustry.net web:- www.hrindustry.net Contact:-9049378851