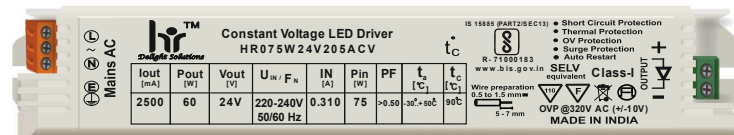


### PRODUCT DESCRIPTION

- Fixed output build in LED Driver.
- Constant Current LED Driver.
- Nominal Life-Time Upto 30,000 hr.
- 3/5-Years Warranty.
- CE ( Certified ).
- IS 15885 (Part 2/Sec 13).
- IS 16104.
- IEC 60950-1.
- IEC 61000-4-5.



#### Input Characteristics

1	Voltage (Un)	240 Vac
2	Operating Voltage Range	100 ~300 Vac
3	Frequency (Hz)	50 / 60 Hz
4	Maximum Input Current	0.13A
5	Input Power (W)	30W
6	Power Factor (PF)	> 0.50
7	Inrush current Protection	Yes
8	Surge Withstanding Capacity	4 KV
9	Driver Life	>30000Hrs

#### Mechanical Details

1	Weight	240gm.
2	Case Dimensions	
3	Length W/Mount	208mm
4	Center to Center (CTC)	200mm
5	Width	35mm
6	Height	30mm
3	Case Material	PC Box
4	Wiring Diagram	On Screen
5	Input / Output Terminals	Connector
6	Wires Length & Colors	
	Input (Yellow)	NA
	Output (Red & Black)	NA
7	Potting	NA

#### Output Characteristics

1	Output short circuit protection and Restart	Yes
2	Thermal Protection	Yes
3	No-Load Protection	Yes
4	Max Output Current	1000MA (Tole : +/-3%)
5	Output Voltage	24V
6	Output Power (W)	24W max
7	Efficiency	>80%

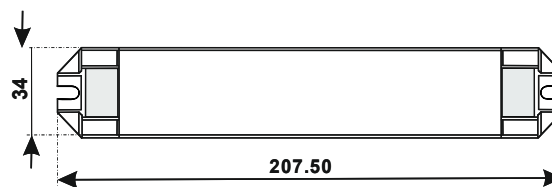
#### Key Features

1	Compact Design
2	High Surge withstanding capacity
3	Long Life
4	High Durability

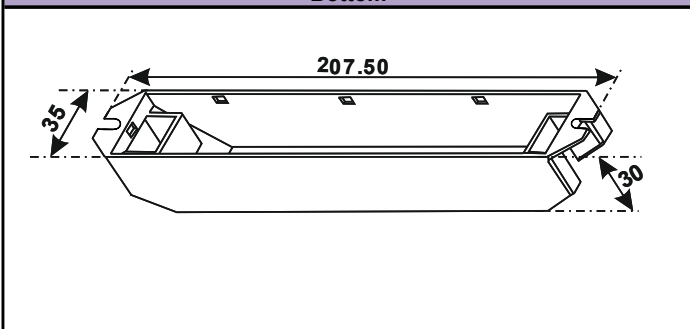
#### Environmental Operating Details

1	Minimum Starting Temperature	-30°C ... 75°C
2	Max. Ambient Temperature	-20°C ... to 65°C
3	Max. Case temperature (Tc)	90°C

#### Plastic Box



#### Bottom



#### Top

