

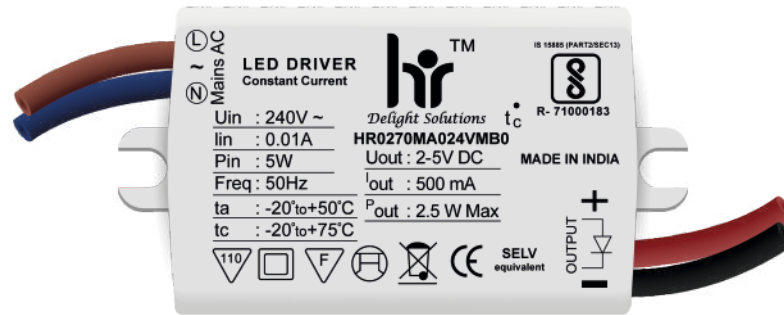




HR Industry, a company committed to create, design, develop, manufacture and market vast range of LED drivers, was founded by **Mr. Harish R. Chauhan in 2012**. Having worked for more than a decade in a leading company in the same field gathering experience in the Production, Quality, and R&D division, he embarked on this venture leading a team of more than 200 members of fine professionals, having a strong relationship with associates and the ability to adapt quickly and efficiently, with the vision to always think ahead. In addition to the above core unit manufacturing LED drivers, the company has invested in assembly unit (pick & place machines, the manual insertion setup), Design & Development section to ensure each product withstand most rigorous test, having a reliability room equipped with surge protector, deep freeze, humidity chamber, etc to cater to esteemed OEM CLIENTS.

Company is located at Sasewadi, Pune-Bangalore Highway, having a total area of 60,000 sq. ft. no wonder the company has a long list of satisfied customers.

### OGLE - X1 LED Driver - CC



Note: Product Images are for reference only, Screen image change with respect to product specification.

### Technical Specifications

Operating input voltage range	: 90-300 Vac; 50/60 Hz; 140-300 Vdc
Thermal protection	: Yes. 110°C (+/- 10°C)
Working temperature (ta)	: -20°C to +50°C
Case temperature (tc)	: +75°C
SAFETY standards	: IS 15885 ( PART2 / SEC13 )
Connections	: Wires for Input & Output
Efficiency	: <80%
Dimension (L*W*H)(MM)	: 57*28*21.3

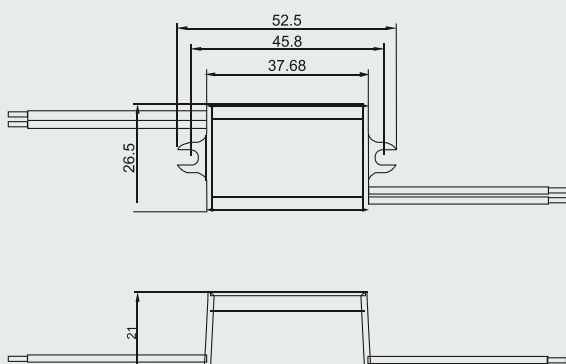
SAFETY standards

Connections

Efficiency

Dimension (L\*W\*H)(MM)

### Dimensional Details



### Features

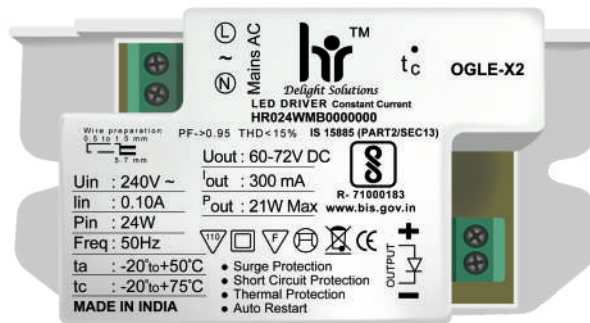
- Protection : Output Short Circuit, No Load
- IP 20/65 design Universal AC input (up to 300 Vac)/full range
- Class 2 power units / pass LPS
- Cooling by free air convection
- Suitable for dry, damp & wet location
- Suitable for Indoor LED lighting
- 3 Years warranty

### Electrical Specifications

#### OGLE - X1 ( Input 2-5 watt )

Serial Number	Output Voltage Min- Max	Output Current Min- Max	Output Wattage Min- Max
01	03-05 V	500-700 mA	1W - 4W
02	25-40 V	150 mA	1W - 5W
03	02-05 V	1000-1500 mA	3W - 5W

### OGLE - X2 LED Driver - CC



Note: Product Images are for reference only, Screen image change with respect to product specification.

### Technical Specifications

Operating input voltage range	: 90-300 Vac; 50/60 Hz; 140-300 Vdc
Thermal protection	: Yes. 110°C (+/- 10°C)
THD	: < 15%
Efficiency	: > 85%
PF	: > 0.95
Standard loss	: 0.3 Watt
Working temperature (ta)	: -20°C to +50°C
Case temperature (tc)	: +75°C
SAFETY standards	: IS 15885 ( PART2 / SEC13 ) IEC 61347 - 2 - 13: Ed1206 - 5 IEC 60950, IS 16104
Connections	: Connector for Input & Output
Dimension (L*W*H)(MM)	: 81*39*27

### Features

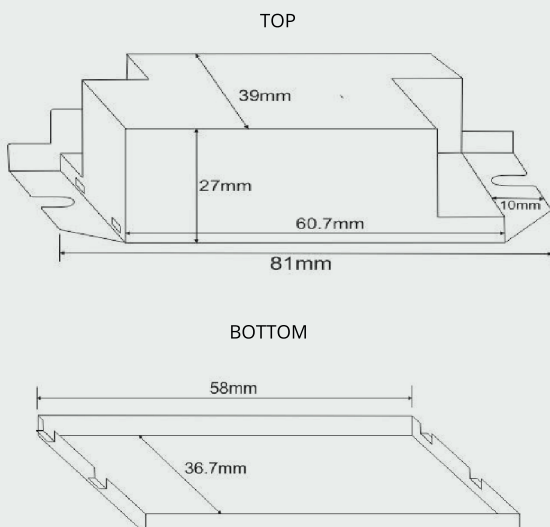
- Protection : Output Short Circuit, No Load
- Built-in active PFC function
- IP 20 design Universal AC input (up to 300 Vac)/full range
- Meet 3 KV surge immunity level ( IEC61000- 4-5 )
- Class 2 power units / pass LPS
- Cooling by free air convection
- Suitable for dry, damp & wet location
- Suitable for Indoor LED lighting
- 3 Years warranty

### Electrical Specifications

#### OGLE - X2 ( Input 5-25 watt )

Serial Number	Output Voltage	Output Current	Output Wattage
	Min- Max	Min- Max	Min- Max
01	15-24 V	300-550 mA	7W - 13W
02	25-40 V	150-450 mA	7W - 18W
03	30-50 V	150-350 mA	7W - 22W
04	50-70 V	200-300 mA	7W - 22W

### Dimensional Details



### OGLE - X3 LED Driver - CC



Note: Product Images are for reference only, Screen image change with respect to product specification.

### Technical Specifications

Operating input voltage range	: 90-300 Vac; 50/60 Hz; 140-300 Vdc
Thermal protection	: Yes. 110°C (+/- 10°C)
THD	: < 15%
Efficiency	: > 85%
PF	: > 0.95
Standard loss	: 0.3 Watt
Working temperature (ta)	: -20°C to +50°C
Case temperature (tc)	: +75°C
SAFETY standards	: IS 15885 ( PART2 / SEC13 ) IEC 61347 - 2 - 13: Ed1206 - 5 IEC 60950, IS 16104
Connections	: Connector for Input & Output
Dimension (L*W*H)(MM)	: 55*55*27

### Features

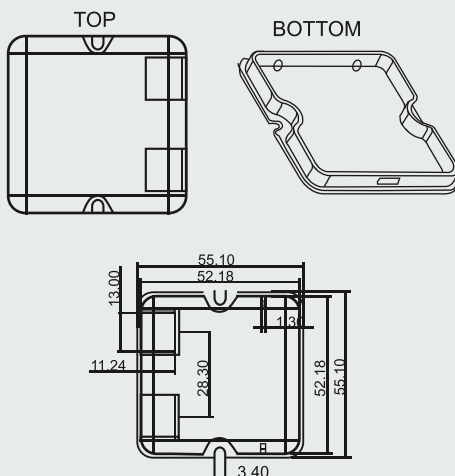
- Protection : Output Short Circuit, No load
- Built-in active PFC function
- IP 20 design Universal AC input (up to 300 Vac)/full range
- Meet 3 KV surge immunity level ( IEC61000- 4-5 )
- Class 2 power units / pass LPS
- Cooling by free air convection
- Suitable for dry, damp & wet location
- Suitable for Indoor LED lighting
- 3 Years warranty

### Electrical Specifications

#### OGLE - X3 ( Input 5-25 watt )

Serial Number	Output Voltage	Output Current	Output Wattage
	Min- Max	Min- Max	Min- Max
01	15-24 V	300-500 mA	7W - 12W
02	25-40 V	150-450 mA	7W - 18W
03	30-50 V	150-350 mA	7W - 18W
04	50-70 V	200-300 mA	14W - 22W

### Dimensional Details



### OGLE - X4 LED Driver - CC



Note: Product Images are for reference only, Screen image change with respect to product specification.

### Technical Specifications

Operating input voltage range :	100-300 Vac; 50/60 Hz; 140-300 Vdc
Over voltage protection	: Yes. 320 Vac ( +/- 10 V )
Thermal protection	: Yes. 110°C +/- 10°C
THD	: < 10%
Efficiency	: > 88%
PF	: > 0.98
Standard loss	: 0.3 Watt
Withstand Voltage	: 440 Vac
Working temperature (ta)	: -20°C to +50°C
Case temperature (tc)	: +75°C
SAFETY standards	: IS 15885 (PART2/SEC13), IEC 61347-2-13: Ed1206-5 IEC 60950, IS 16104
Connections	: Connector for Input & Output
Dimension (L*W*H)(MM)	: 55*55*27

### Features

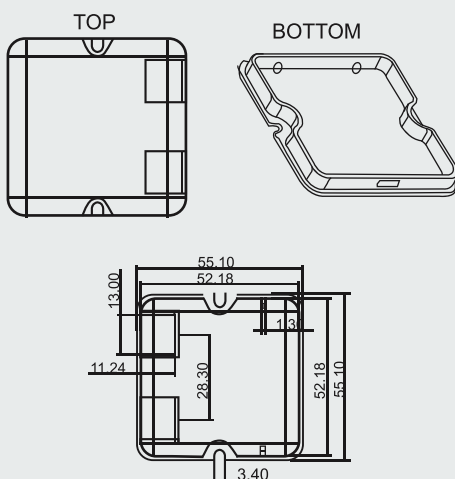
- Protection : Output Short Circuit, Over voltage, No load
- Built-in active PFC function
- IP 20 design Universal input (up to 300 Vac)/full range
- Meet 4 KV surge immunity level ( IEC61000- 4-5 )
- Class 2 power units / pass LPS
- Suitable for dry, damp & wet location
- Suitable for Indoor / Outdoor LED lighting
- 3 Years warranty

### Electrical Specifications

#### OGLE - X4 ( Input 12-25 watt )

Serial Number	Output Voltage	Output Current	Output Wattage
	Min- Max	Min- Max	Min- Max
01	25-40 V	250-500 mA	10W - 22W
02	40-60 V	250-350 mA	10W - 22W
03	60-80 V	150-300 mA	10W - 22W

### Dimensional Details



### OGLE - X5 LED Driver - CC



Note: Product Images are for reference only, Screen image change with respect to product specification.

### Technical Specifications

Operating input voltage range	: 100-300 Vac; 50/60 Hz; 140-300 Vdc
Over voltage protection	: Yes. 320 Vac ( +/- 10 V )
Under voltage protection	: Yes. 110 Vac ( +/- 10 V )
Thermal protection	: Yes. 110°C +/- 10°C
THD	: < 10%
Efficiency	: > 88%
PF	: > 0.98
Standard loss	: 0.3 Watt
Withstand Voltage	: 440 Vac
Working temperature (ta)	: -20°C to +50°C
Case temperature (tc)	: +75°C
SAFETY standards	: IS 15885 (PART2/SEC13), IEC 61347-2-13: Ed1206-5 IEC 60950, IS 16104
Connections	: Connector for Input & Output
Dimension (L*W*H)(MM)	: 93*58*31

### Features

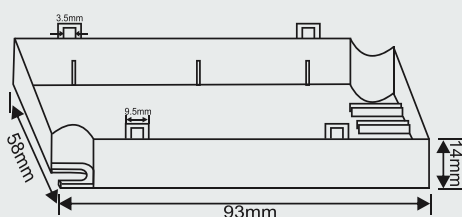
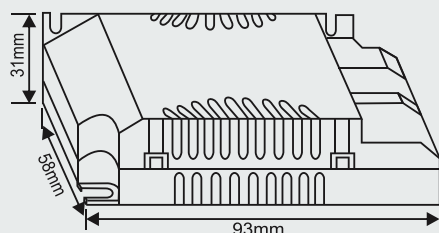
- Protection : Output Short Circuit, Over voltage, Under voltage, No load
- Built-in active PFC function
- IP 20 design Universal input (up to 300 Vac)/full range
- Meet 4 KV surge immunity level ( IEC61000- 4-5 )
- Class 2 power units / pass LPS
- Suitable for dry, damp & wet location
- Suitable for Indoor / Outdoor LED lighting
- 3/5 Years warranty

### Electrical Specifications

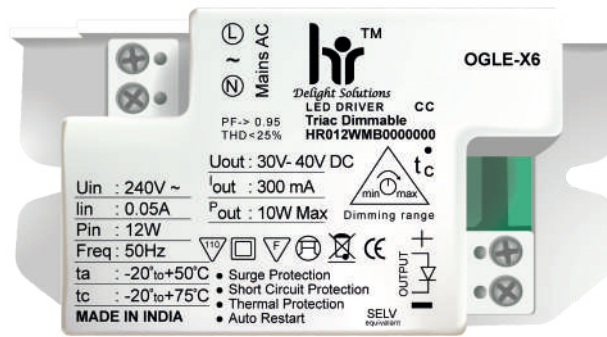
#### OGLE - X5 ( Input 15-40 watt )

Serial Number	Output Voltage	Output Current	Output Wattage
	Min- Max	Min- Max	Min- Max
01	25-40 V	300-1000 mA	14W - 36W
02	40-60 V	300-600 mA	14W - 36W
03	60-80 V	300-450 mA	14W - 36W

### Dimensional Details



# OGLE - X6 LED Driver - CC



Note: Product Images are for reference only, Screen image change with respect to product specification.

## Technical Specifications

Operating input voltage range	: 100-300 Vac; 50/60 Hz; 140-300 Vdc
Over voltage protection	: Yes. 320 Vac ( +/- 10 V )
Thermal protection	: Yes. 110°C +/- 10°C
THD	: < 25%
Efficiency	: > 85%
PF	: > 0.95
Standard loss	: 0.3 Watt
Withstand Voltage	: 440 Vac
Working temperature (ta)	: -20°C to +50°C
Case temperature (tc)	: +75°C
SAFETY standards	: IS 15885 (PART2/SEC13), IEC 61347-2-13; Ed1206-5 IEC 60950, IS 16104
Connections	: Connector for Input & Output
Dimension (L*W*H)(MM)	: 81*39*27

## Features

- Protection : Output Short Circuit, Over voltage, No load
- Built-in active PFC function
- IP 20 design Universal input (up to 300 Vac)/full range
- Meet 4 KV surge immunity level ( IEC61000- 4-5 )
- Class 2 power units / pass LPS
- Suitable for dry, damp & wet location
- Suitable for Indoor / Outdoor LED lighting
- 3/5 Years warranty

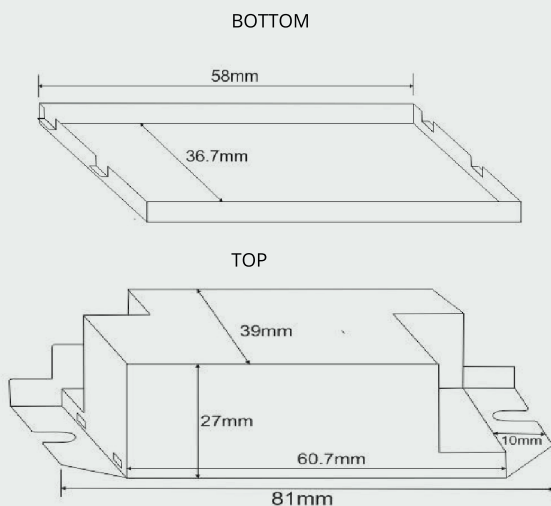
Dimming Type	: Phase cut (Triac dimming)
Dimming technique	: Amplitude
Dimming range	: 5% to 100%
Lowest Dimming current	: 7%
PWM frequency	: N/A

## Electrical Specifications

### OGLE - X6 ( Input 8-20 watt )

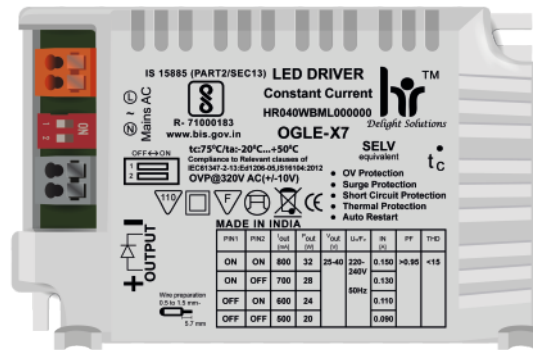
Serial Number	Output Voltage Min- Max	Output Current Min- Max	Output Wattage Min- Max
01	15-24 V	300-550 mA	7W - 20W
02	25-40 V	150-450 mA	7W - 20W
03	30-50 V	150-350 mA	7W - 20W
04	50-70 V	200-300 mA	7W - 20W

## Dimensional Details





### OGLE - X7 LED Driver - CC



Note: Product Images are for reference only, Screen image change with respect to product specification.

### Technical Specifications

Operating input voltage range	: 100-300 Vac; 50/60 Hz; 140-300 Vdc
Over voltage protection	: Yes. 320 Vac ( +/- 10 V )
Thermal protection	: Yes. 110°C +/- 10°C
THD	: < 10%
Efficiency	: > 88%
PF	: > 0.98
Standard loss	: 0.3 Watt
Withstand Voltage	: 440 Vac
Working temperature (ta)	: -20°C to +50°C
Case temperature (tc)	: +75°C
SAFETY standards	: IS 15885 (PART2/SEC13), IEC 61347-2-13: Ed1206-5 IEC 60950, IS 16104
Connections	: Connector for Input & Output
Dimension (L*W*H)(MM)	: 93*58*31

### Features

- Protection : Output Short Circuit, Over voltage, Under voltage, No load
- Built-in active PFC function
- IP 20 design Universal input (up to 300 Vac)/full range
- Meet 4 KV surge immunity level ( IEC61000- 4-5 )
- Class 2 power units / pass LPS
- Current Adjustable (DIP switch)

Configuration				Configuration			
PIN1	PIN2	Lout (mA)	Pout (W)	PIN1	PIN2	Lout (mA)	Pout (W)
ON	ON	1000mA	40W	ON	ON	500mA	40W
OFF	ON	900mA	36W	OFF	ON	450mA	36W
ON	OFF	800mA	32W	ON	OFF	400mA	32W
OFF	OFF	700mA	28W	OFF	OFF	300mA	24W

Vout (V): 30V-40Vdc, 65V-80Vdc

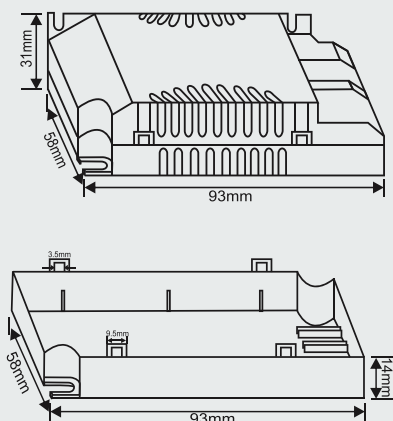
- Suitable for dry, damp & wet location
- Suitable for Indoor/Outdoor LED lighting
- User flexibility with four different output currents
- 3/5 Years warranty

### Electrical Specifications

#### OGLE - X7 ( Input 15-40 watt )

Serial Number	Output Voltage		Output Current		Output Wattage	
	Min-	Max	Min-	Max	Min-	Max
01	25	40 V	300	1000 mA	14W	36W
02	40	60 V	300	600 mA	14W	36W
03	60	80 V	300	450 mA	14W	36W

### Dimensional Details



### OGLE - X8 LED Driver - CC



Note: Product Images are for reference only, Screen image change with respect to product specification.

### Technical Specifications

Operating input voltage range :	90-300 Vac; 50/60 Hz
Load / Line Regulation	: +/-3%
THD	: < 20%
Efficiency	: > 85%
PF	: > 0.95
Over Temp. Protection	: 125°C ±10°C
Operating thermal temp. (tc)	: 75°C
Operating temp. Range(ta)	: -30 to 50°C
SAFETY standards	: IS 15885(Part2/Sec/13) IEC 61347-2-13
Connections	: Wire for INPUT & OUTPUT
Dimension (L*W*H)(MM)	: 55*32*20

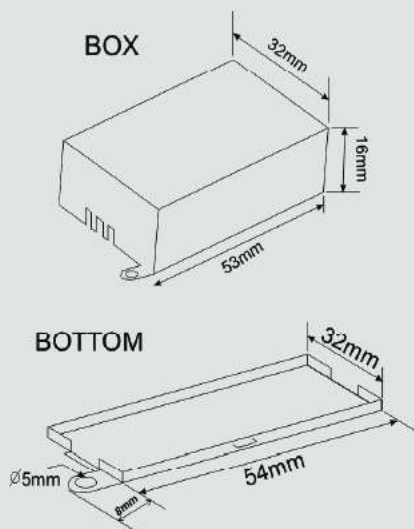
### Features

- Protection: Short Circuit, No Load ,Over Temperature
- Built-In Active PFC Function
- IP20 Design Universal AC Input(Up to 300Vac)
- Meet 4kV Surge Immunity Level (IEC61000-4-5)
- Suitable for Indoor LED Lighting
- 3 Years Warranty

### Special Features

- Integrated Input OVP, when input voltage is higher than 375Vac, turns off the power switch, resumes at input voltage below 320Vac. Enhances anti-surge capability and improves system reliability.
- LED Panel Colors can be changed with the flip of the electric switch. Colours can be set as per desired Cool White or Warm White or Natural White.

### Dimensional Details



### Electrical Specifications

#### OGLE - X8 ( CCT SWITCH DIMMABLE (08-20W) )

Serial Number	Output Voltage Min- Max	Output Current Min- Max	Output Wattage Min- Max
01	30-50 V	200-300 mA	6W - 15W
02	50-80 V	200-250 mA	10W - 20W

### POLLUX - X1 LED Driver - CC



Note: Product Images are for reference only, Screen image change with respect to product specification.

### Technical Specifications

Operating input voltage range	: 100-300 Vac; 50/60 Hz; 140-300 Vdc
Over voltage protection	: Yes. 320 Vac ( +/- 10 V )
Under voltage protection	: Yes. 110 Vac ( +/- 10 V )
Thermal protection	: Yes. 110°C +/- 10°C
THD	: < 10%
Efficiency	: > 88%
PF	: > 0.98
Standard loss	: 0.3 Watt
Withstand Voltage	: 440 Vac
Working temperature (ta)	: -20°C to +50°C
Case temperature (tc)	: +75°C
SAFETY standards	: IS 15885 (PART2/SEC13), IEC 61347-2-13
Connections	: Wire for Input & Output
Dimension (L*W*H)(MM)	: 105*46*30

### Features

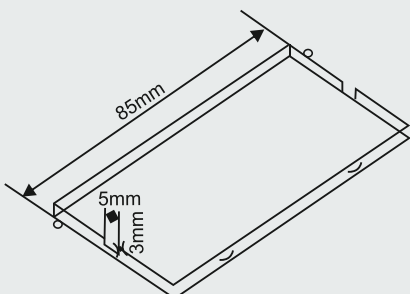
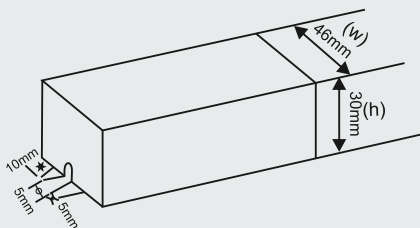
- Protection : Output Short Circuit, Over Voltage, Under Voltage, No load
- Built-in active PFC function
- IP20/65 design Universal AC input (up to 300 Vac)/Full range
- Class 2 power units / pass LPS
- Meet 4 KV surge immunity level ( IEC61000- 4-5 )
- Suitable for Indoor/Outdoor LED Lighting
- 3/5 Years warranty

### Electrical Specifications

#### POLLUX - X1 ( Input 12-50 Watt )

Serial Number	Output Voltage Min- Max	Output Current Min- Max	Output Wattage Min- Max
01	25-36 V	400-1300mA	12W - 45W
02	25-40 V	300-1200mA	12W - 45W
03	40-60 V	300-650mA	12W - 45W
04	60-80 V	200-550mA	12W - 45W
05	80-100 V	200-400mA	12W - 45W

### Dimensional Details



### POLLUX - X2 LED Driver - CC



Note: Product Images are for reference only, Screen image change with respect to product specification.

### Technical Specifications

Operating input voltage range	: 110-300 Vac; 50/60 Hz; 140-300 Vdc
Over voltage protection	: Yes. 320 Vac ( +/- 10 V )
Under voltage protection	: Yes. 110 Vac ( +/- 10 V )
Thermal protection	: Yes. 110°C +/- 10°C
THD	: < 10%
Efficiency	: > 88%
PF	: > 0.98
Standard loss	: 0.3 Watt
Withstand Voltage	: 440 Vac
Working temperature (ta)	: -20°C to +65°C
Case temperature (tc)	: +85°C
SAFETY standards	: IS 15885 (PART2/SEC13), IEC 61347-2-13
Connections	: Wire for Input & Output
Dimension (L*W*H)(MM)	: 135*55*34

### Features

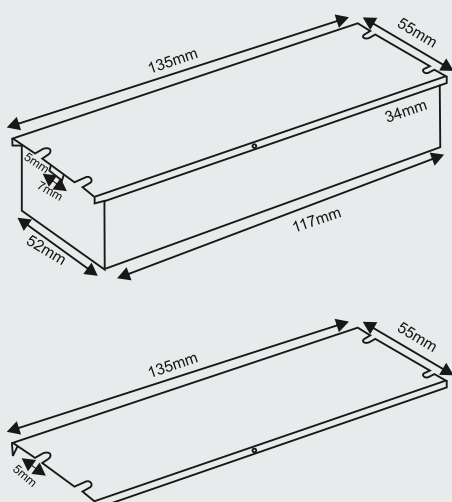
- Protection : Output Short Circuit, Over Voltage, Under voltage
- Built-in active PFC function
- IP65 design Universal AC input (up to 300 Vac)
- Meet 6 KV surge immunity level ( IEC61000- 4-5 )
- Class I power units / pass LPS
- Suitable for Indoor/Outdoor LED Lighting
- Optional Dimming: 1-10V/PWM
- 3/5 Years warranty

### Electrical Specifications

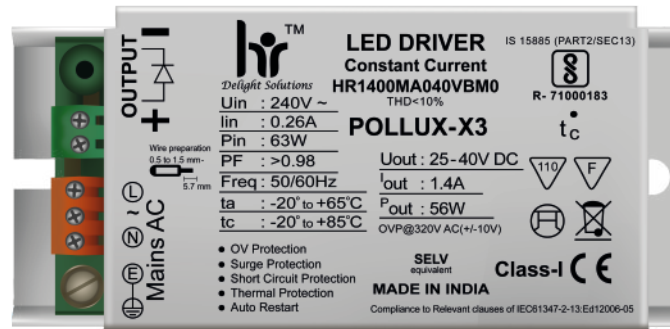
#### POLLUX - X2 ( Input 45-70 Watt )

Serial Number	Output Voltage Min- Max	Output Current Min- Max	Output Wattage Min- Max
01	25-40V	1000-1400 mA	40W - 55W
02	40-60 V	700-900 mA	40W - 55W
03	60-80 V	600-800 mA	40W - 65W
04	80-100 V	500-600 mA	40W - 60W
05	80-100 V	500-700 mA	40W - 70W
06	100-120 V	350-500 mA	40W - 60W
07	120-140 V	300-450 mA	40W - 65W

### Dimensional Details



### POLLUX - X3 LED Driver - CC



Note: Product Images are for reference only, Screen image change with respect to product specification.

### Technical Specifications

Operating input voltage range	: 100-300 Vac; 50/60 Hz; 140-300 Vdc
Over voltage protection	: Yes. 320 Vac ( +/- 10 V )
Under voltage protection	: Yes. 110 Vac ( +/- 10 V )
Thermal protection	: Yes. 110°C +/- 10°C
THD	: < 10%
Efficiency	: > 88%
PF	: > 0.98
Standard loss	: 0.3 Watt
Withstand Voltage	: 440 Vac
Working temperature (ta)	: -20°C to +65°C
Case temperature (tc)	: +85°C
SAFETY standards	: IS 15885 (PART2/SEC13), IEC 61347-2-13: Ed1206-5 IEC 60950, IS 16104
Connections	: Connector for Input & Output
Dimension (L*W*H)(MM)	: 140*63*34

### Features

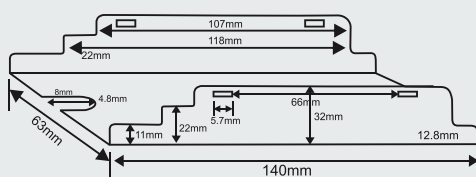
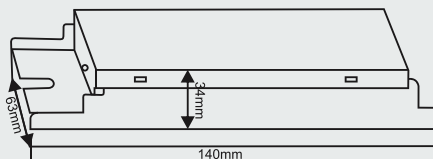
- Protection : Output Short Circuit, Over Voltage, Under voltage, No load
- Built-in active PFC function
- IP20 design Universal AC input up to 300 Vac)
- Meet 6 KV surge immunity level ( IEC61000- 4-5 )
- Class I power units / pass LPS
- Suitable for Indoor/Outdoor LED Lighting
- Optional Dimming: 0-10V/PWM
- 3/5 Years warranty

### Electrical Specifications

#### POLLUX - X3 ( Input 50-100 Watt )

Serial Number	Output Voltage Min- Max	Output Current Min- Max	Output Wattage Min- Max
01	25-40 V	1100-1500 mA	45W - 60W
02	40-60 V	800-1100 mA	45W - 65W
03	60-80 V	550-700 mA	45W - 55W
04	80-100 V	500-600 mA	45W - 60W
05	100-120 V	500-700 mA	45W - 90W

### Dimensional Details



### POLLUX - X4 LED Driver - CC

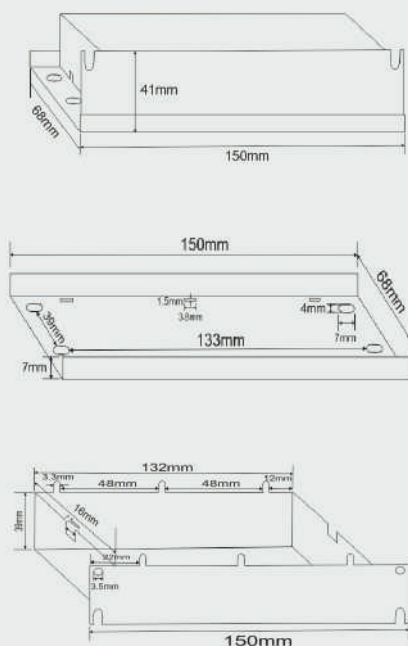


Note: Product Images are for reference only, Screen image change with respect to product specification.

### Technical Specifications

Operating input voltage range	: 110-300 Vac; 50/60 Hz; 140-300 Vdc
Over voltage protection	: Yes. 320 Vac ( +/- 10 V )
Under voltage protection	: Yes. 110 Vac ( +/- 10 V )
Thermal protection	: Yes. 110°C +/- 10°C
THD	: < 10%
Efficiency	: > 90%
PF	: > 0.98
Standard loss	: 0.3 Watt
Withstand Voltage	: 440 Vac
Working temperature (ta)	: -20°C to +65°C
Case temperature (tc)	: +85°C
SAFETY standards	: IS 15885 (PART2/SEC13), IEC 61347-2-13: Ed1206-5 IEC 60950, IS 16104
Connections	: Wire for Input & Output
Dimension (L*W*H)(MM)	: 150*68*41 (MS body) 160*68*41 (Aluminium body)

### Dimensional Details



### Features

- Protection : Output Short Circuit, Over Voltage, Under voltage, No load
- Built-in active PFC function
- IP 65 design Universal AC input (up to 300 Vac)
- Meet 6 KV surge immunity level ( IEC61000- 4-5 )
- Class I power units / pass LPS
- Suitable for Outdoor LED Lighting
- Optional Dimming: 1-10V/PWM
- Optional Ripple Less than 5%
- 3/5 Years warranty

### Electrical Specifications

#### POLLUX - X4 MS Box ( Input 60-120 Watt )

Serial Number	Output Voltage Min- Max	Output Current Min- Max	Output Wattage Min- Max
01	25-40 V	1400-2400 mA	55W -110W
02	40-60 V	1000-1800 mA	55W -110W
03	60-80 V	700-1300 mA	55W -110W
04	80-100 V	600-1000 mA	55W -110W
05	100-120 V	500-800 mA	55W -110W
06	120-140 V	300-700 mA	55W -110W
07	140-160 V	300-700 mA	55W -110W

#### POLLUX - X4 Aluminium Box ( Input 60-120 Watt )

Serial Number	Output Voltage Min- Max	Output Current Min- Max	Output Wattage Min- Max
01	25-40 V	1400-2400 mA	55W -110W
02	40-60 V	1000-1800 mA	55W -110W
03	60-80 V	700-1300 mA	55W -110W
04	80-100 V	600-1000 mA	55W -110W
05	110-150 V	500-800 mA	55W -110W

### POLLUX - X5 LED Driver - CC



Note: Product Images are for reference only, Screen image change with respect to product specification.

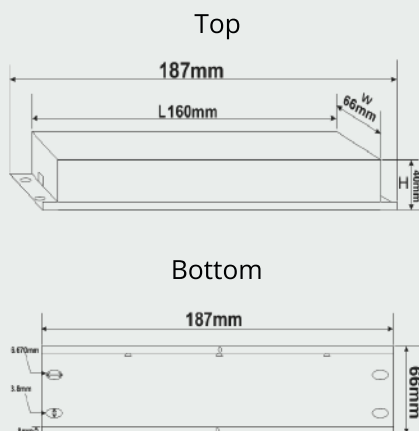
### Technical Specifications

Operating input voltage range	: 100-300 Vac; 50/60 Hz; 140-300 Vdc
Over voltage protection	: Yes. 320 Vac ( +/- 10 V )
Under voltage protection	: Yes. 110 Vac ( +/- 10 V )
Thermal protection	: Yes. 110°C +/- 10°C
THD	: < 10%
Efficiency	: > 88%
PF	: > 0.98
Standard loss	: 0.3 Watt
Withstand Voltage	: 440 Vac
Working temperature (ta)	: -20°C to +65°C
Case temperature (tc)	: +85°C
SAFETY standards	: IS 15885 (PART2/SEC13), IEC 61347-2-13:
Connections	: Wires for Input & Output
Dimension (L*W*H)(MM)	: 187*66*40 (MS Body) 187*68*40 (Aluminium Body)

### Features

- Protection : Output Short Circuit, Over Voltage, Under voltage, No load
- Built-in active PFC function
- IP 65 design Universal AC input (up to 300 Vac)
- Meet 6 KV surge immunity level ( IEC61000- 4-5 )
- Class I power units / pass LPS
- Suitable for Outdoor LED Lighting
- Optional Dimming: 1-10V/PWM
- Optional Ripple Less than 5%
- 3/5 Years warranty

### Dimensional Details

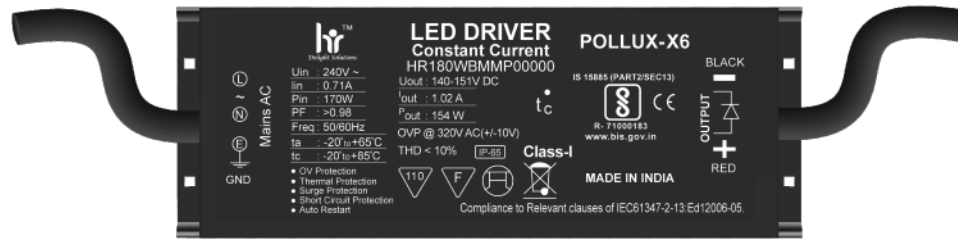


### Electrical Specifications

#### POLLUX - X5 (Input 125-180 Watt)

Serial Number	Output Voltage Min- Max	Output Current Min- Max	Output Wattage Min- Max
01	40-72 V	2000-3500mA	125-160W
02	73-120 V	1200-1900mA	125-160W
03	122-165 V	850-1150mA	125-160W
04	166-210 V	700-850mA	125-160W
05	210-250 V	600-700mA	125-160W

### POLLUX - X6 LED Driver - CC



Note: Product Images are for reference only, Screen image change with respect to product specification.

### Technical Specifications

Operating input voltage range	: 100-300 Vac; 50/60 Hz; 140-300 Vdc
Over voltage protection	: Yes. 320 Vac ( +/- 10 V )
Under voltage protection	: Yes. 110 Vac ( +/- 10 V )
Thermal protection	: Yes. 110°C +/- 10°C
THD	: < 10%
Efficiency	: > 88%
PF	: > 0.98
Standard loss	: 0.3 Watt
Withstand Voltage	: 440 Vac
Working temperature (ta)	: -20°C to +65°C
Case temperature (tc)	: +85°C
SAFETY standards	: IS 15885 (PART2/SEC13), IEC 61347-2-13:
Connections	: Wires for Input & Output
Dimension (L*W*H)(MM)	: 184*85*46

### Features

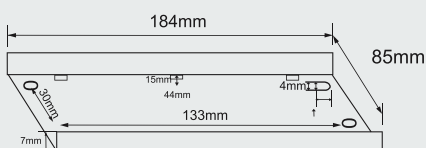
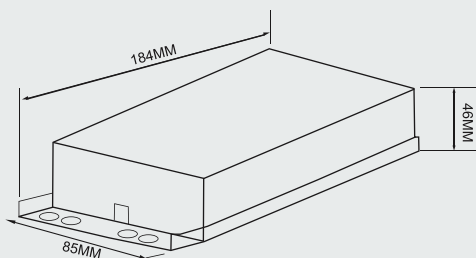
- Protection : Output Short Circuit, Over Voltage, Under Voltage, No load
- Built-in active PFC function
- IP65 design Universal AC input (up to 300 Vac)
- Meet 6 KV surge immunity level ( IEC61000- 4-5 )
- Class I power units / pass LPS
- Suitable for Outdoor LED Lighting
- Optional Dimming: 1-10V/PWM
- Ripple Less than 5%
- 3/5 Years warranty

### Electrical Specifications

#### POLLUX - X6 ( Input 200-250 Watt )

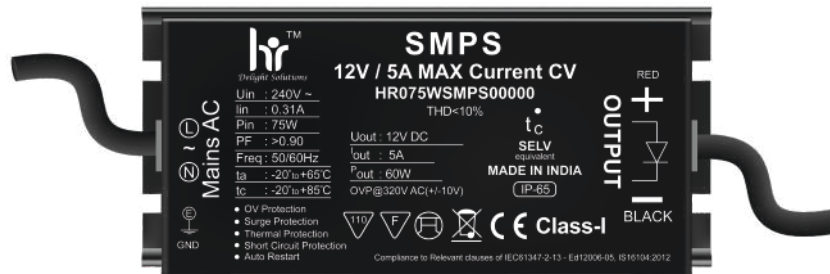
Serial Number	Output Voltage	Output Current	Output Wattage
	Min- Max	Min- Max	Min- Max
01	60-90 V	2500-3000 mA	180 - 225W

### Dimensional Details





### POLLUX - X7 SMPS-CV



Note: Product Images are for reference only, Screen image change with respect to product specification.

### Technical Specifications

Operating input voltage range	: 100-300 Vac; 50/60 Hz; 140-300 Vdc
Over voltage protection	: Yes. 320 Vac ( +/- 10 V )
Thermal protection	: Yes. 110°C +/- 10°C
THD	: < 10%
Efficiency	: > 80%
PF	: > 0.98
Standard loss	: 0.3 Watt
Withstand Voltage	: 440 Vac
Working temperature (ta)	: -20°C to +65°C
Case temperature (tc)	: +85°C
SAFETY standards	: IS 15885 (PART2/SEC13), IEC 61347-2-13:
Connections	: Wires for Input & Output
Dimension (L*W*H)(MM)	: 135*55*34

### Features

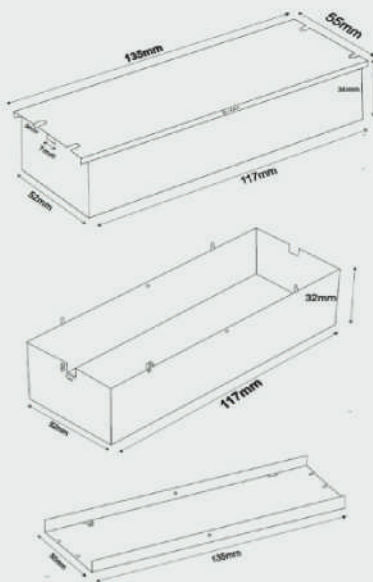
- Protection : Output Short Circuit, Over Voltage, Under Voltage, No load
- Built-in active PFC function
- IP65 design Universal AC input (up to 300 Vac)
- Meet 4 KV surge immunity level ( IEC61000- 4-5 )
- Class I power units / pass LPS
- Suitable for Outdoor LED Lighting / LED Strips
- 3/5 Years warranty

### Electrical Specifications

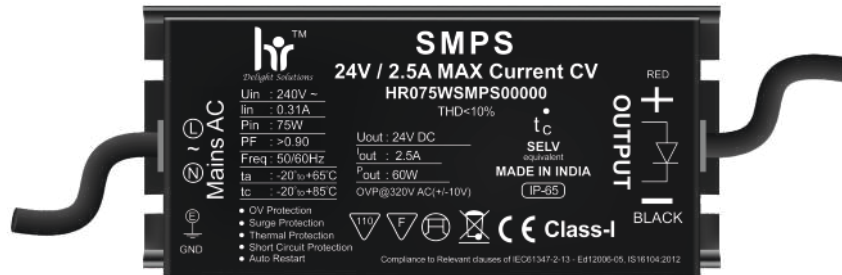
#### POLLUX - X7 ( Input 75 Watt )

Serial Number	Output Voltage	Output Current	Output Wattage
	Min- Max	Min- Max	Min- Max
01	12Vdc	5A	60W

### Dimensional Details



### POLLUX - X8 SMPS-CV



Note: Product Images are for reference only, Screen image change with respect to product specification.

### Technical Specifications

Operating input voltage range	: 100-300 Vac; 50/60 Hz; 140-300 Vdc
Over voltage protection	: Yes. 320 Vac ( +/- 10 V )
Thermal protection	: Yes. 110°C +/- 10°C
THD	: < 10%
Efficiency	: > 80%
PF	: > 0.98
Standard loss	: 0.3 Watt
Withstand Voltage	: 440 Vac
Working temperature (ta)	: -20°C to +65°C
Case temperature (tc)	: +85°C
SAFETY standards	: IS 15885 (PART2/SEC13), IEC 61347-2-13:
Connections	: Wires for Input & Output
Dimension (L*W*H)(MM)	: 135*55*34

### Features

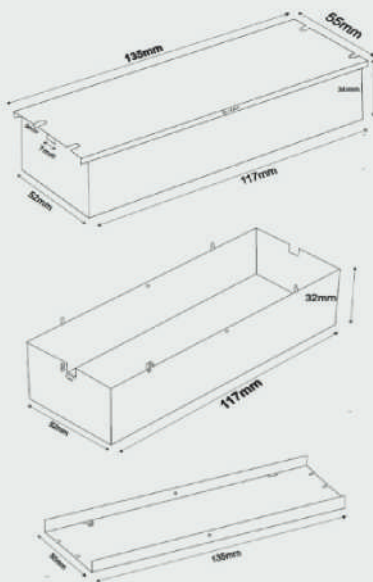
- Protection : Output Short Circuit, Over Voltage, Under Voltage, No load
- Built-in active PFC function
- IP65 design Universal AC input (up to 300 Vac)
- Meet 4 KV surge immunity level ( IEC61000- 4-5 )
- Class I power units / pass LPS
- Suitable for Outdoor LED Lighting / LED Strips
- 3/5 Years warranty

### Electrical Specifications

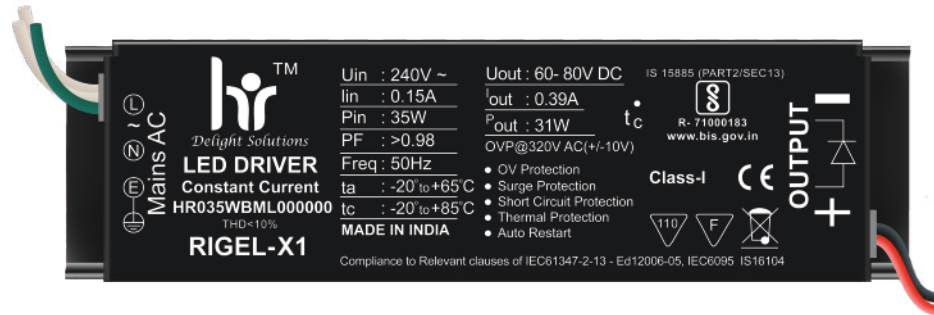
#### POLLUX - X8 ( Input 75 Watt )

Serial Number	Output Voltage	Output Current	Output Wattage
	Min- Max	Min- Max	Min- Max
01	24Vdc	2.5A	60W

### Dimensional Details



# RIGEL - X1 LED Driver - CC



Note: Product Images are for reference only, Screen image change with respect to product specification.

## Technical Specifications

Operating input voltage range	: 100-300 Vac; 50/60 Hz; 140-300 Vdc
Over voltage protection	: Yes. 320 Vac ( +/- 10 V )
Under voltage protection	: Yes. 110 Vac ( +/- 10 V )
Thermal protection	: Yes. 110°C +/- 10°C
THD	: < 10%
Efficiency	: > 85%
PF	: > 0.98
Standard loss	: 0.3 Watt
Withstand Voltage	: 440 Vac
Working temperature (ta)	: -20°C to +65°C
Case temperature (tc)	: +85°C
SAFETY standards	: IS 15885 (PART2/SEC13), IEC 61347-2-13: Ed1206-5 IEC 60950, IS 16104
Connections	: Wires for Input & Output
Dimension (L*W*H)(MM)	: 123*36*27

## Features

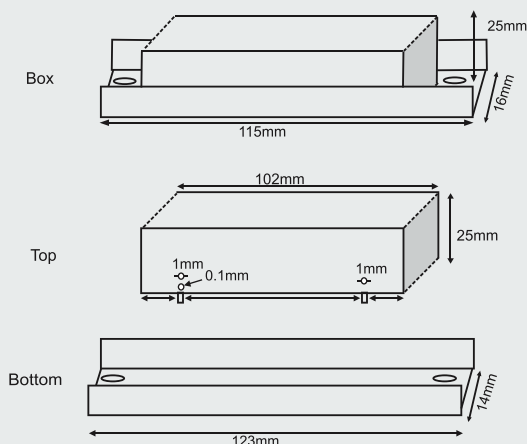
- Protection : Output Short Circuit, Over Voltage, Under Voltage, No Load
- Built-in active PFC function
- IP 20/65 design Universal AC input (up to 300 Vac)/full range
- Meet 4 KV surge immunity level ( IEC61000- 4-5 )
- Class I power units / pass LPS
- Suitable for dry, damp & wet location
- Suitable for Indoor/Outdoor LED lighting
- 3/5 Years warranty

## Electrical Specifications

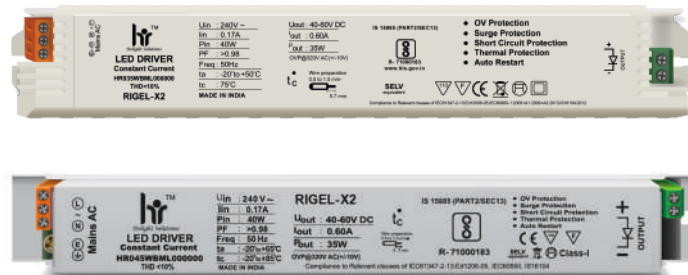
### RIGEL - X1 ( Input 15 - 40 watt )

Serial Number	Output Voltage Min- Max	Output Current Min- Max	Output Wattage Min- Max
01	25-40 V	350-750 mA	15W - 30W
02	40-60 V	300-550 mA	15W - 30W
03	50-70 V	300-500 mA	15W - 30W
04	60-80 V	400-550 mA	15W - 36W

## Dimensional Details



### RIGEL - X2 LED Driver - CC



Note: Product Images are for reference only, Screen image change with respect to product specification.

### Technical Specifications

Operating input voltage range	: 100-300 Vac; 50/60 Hz; 140-300 Vdc
Over voltage protection	: Yes. 320 Vac ( +/- 10 V )
Under voltage protection	: Yes. 110 Vac ( +/- 10 V )
Thermal protection	: Yes. 110°C +/- 10°C
THD	: < 10%
Efficiency	: > 88%
PF	: > 0.98
Standard loss	: 0.3 Watt
Withstand Voltage	: 440 Vac
Working temperature (ta)	: -20°C to +65°C
Case temperature (tc)	: +75°C
SAFETY standards	: IS 15885 (PART2/SEC13), IEC 61347-2-13: Ed1206-5 IEC 60950, IS 16104
Connections	: Connector for Input & Output
Dimension (L*W*H)(MM)	: 202.5*31.5*27 (MS body) 208*35*30 (Plastic body)

### Features

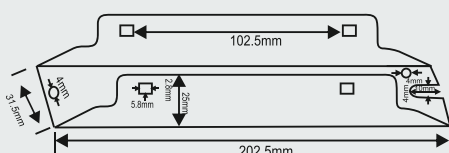
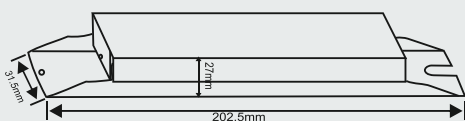
- Protection : Output Short Circuit, Over Voltage, Under Voltage, No Load
- Built-in active PFC function
- IP 20 design Universal AC input (up to 300 Vac)/full range
- Meet 4 KV surge immunity level ( IEC61000- 4-5 )
- Class I power units / pass LPS
- Suitable for dry, damp & wet location
- Suitable for Indoor/Clean room LED lighting applications
- 3/5 Years warranty

### Electrical Specifications

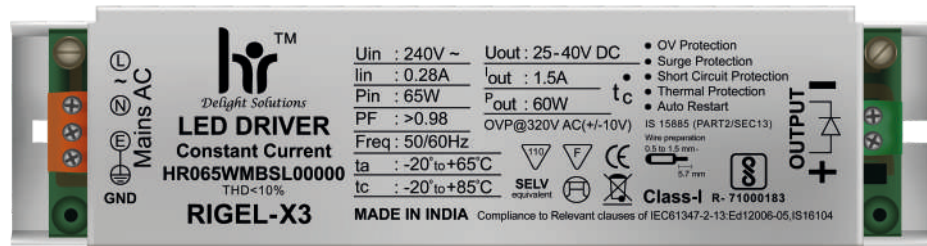
#### RIGEL - X2 ( Input 25 - 45 watt )

Serial Number	Output Voltage	Output Current	Output Wattage
	Min- Max	Min- Max	Min- Max
01	25-40 V	700-1100 mA	25W - 40W
02	40-60 V	500-650 mA	25W - 40W
03	60-80 V	300-500 mA	25W - 40W

### Dimensional Details



### RIGEL - X3 LED Driver - CC

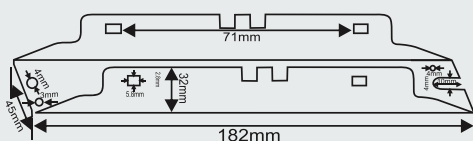
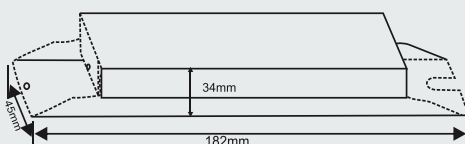


Note: Product Images are for reference only, Screen image change with respect to product specification.

### Technical Specifications

Operating input voltage range	: 110-300 Vac; 50/60 Hz; 140-300 Vdc
Over voltage protection	: Yes. 320 Vac ( +/- 10 V )
Under voltage protection	: Yes. 110 Vac ( +/- 10 V )
Thermal protection	: Yes. 110°C +/- 10°C
THD	: < 10%
Efficiency	: > 88%
PF	: > 0.98
Standard loss	: 0.3 Watt
Withstand Voltage	: 440 Vac
Working temperature (ta)	: -20°C to +65°C
Case temperature (tc)	: +85°C
SAFETY standards	: IS 15885 (PART2/SEC13), IEC 61347-2-13: Ed1206-5 IEC 60950, IS 16104
Connections	: Connector for Input & Output
Dimension (L*W*H)(MM)	: 182*45*34

### Dimensional Details



### Features

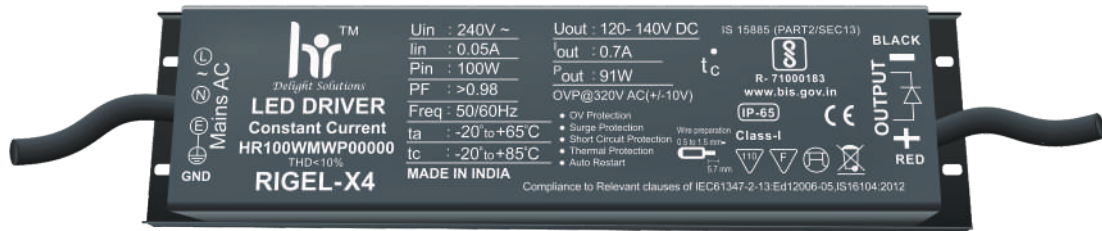
- Protection : Output Short Circuit, Over Voltage, Under Voltage, No Load
- Built-in active PFC function
- IP 20 design Universal AC input (up to 300 Vac)/full range
- Meet 6 KV surge immunity level ( IEC61000- 4-5 )
- Class I/Class 2 power units / pass LPS
- Suitable for dry, damp & wet location
- Suitable for Indoor/Outdoor LED lighting
- Optional Dimming: 1-10V/PWM
- 3/5 Years warranty

### Electrical Specifications

#### RIGEL - X3 ( Input 60-100 watt )

Serial Number	Output Voltage	Output Current	Output Wattage
	Min- Max	Min- Max	Min- Max
01	25-40 V	1200-2000 mA	45W - 80W
02	40-60 V	800-1200 mA	45W - 72W
03	60-80 V	600-1000 mA	45W - 80W
04	80-100 V	600-900 mA	45W - 90W
05	100-120 V	500-750 mA	45W - 90W
06	120-140 V	300-700 mA	45W - 90W

### RIGEL - X4 LED Driver - CC



Note: Product Images are for reference only, Screen image change with respect to product specification.

### Technical Specifications

Operating input voltage range	: 110-300 Vac; 50/60 Hz; 140-300 Vdc
Over voltage protection	: Yes. 320 Vac ( +/- 10 V )
Under voltage protection	: Yes. 110 Vac ( +/- 10 V )
Thermal protection	: Yes. 110°C +/- 10°C (RTH1)
THD	: < 10%
Efficiency	: > 90%
PF	: > 0.98
Standard loss	: 0.3 Watt
Withstand Voltage	: 440 Vac
Working temperature (ta)	: -20°C to +65°C
Case temperature (tc)	: +85°C
SAFETY standards	: IS 15885 (PART2/SEC13), IEC 61347-2-13: Ed1206-5 IEC 60950, IS 16104
Connections	: Wires for Input & Output
Dimension (L*W*H)(MM)	: 192*51*32

### Features

- Protection : Output Short Circuit, Over Voltage, Under Voltage, No Load
- Built-in active PFC function
- IP 65 design Universal AC input (up to 300 Vac)/full range
- Meet 6 KV surge immunity level ( IEC61000- 4-5 )
- Class I power units / pass LPS
- Suitable for dry, damp & wet location
- Suitable for Indoor/Outdoor LED lighting
- Optional Dimming: 1-10V/PWM
- 3/5 Years warranty

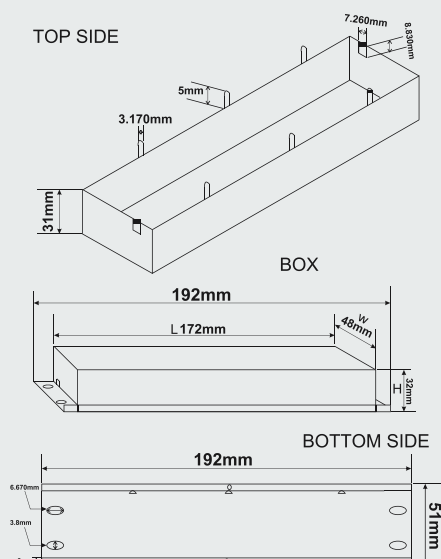
### Electrical Specifications

#### RIGEL - X4 ( Input 60-100 watt )

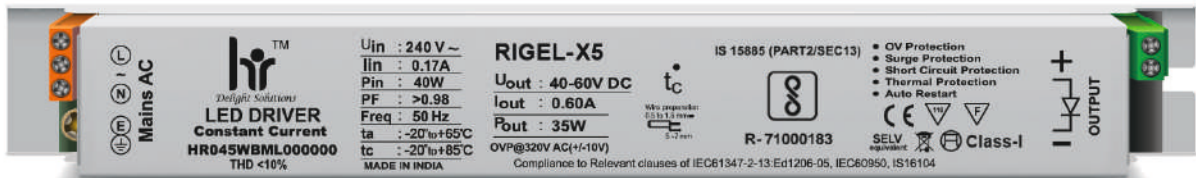
Serial Number	Output Voltage Min- Max	Output Current Min- Max	Output Wattage Min- Max
01	25-40 V	1400-2200 mA	55W - 90W
02	40-60 V	1000-1500 mA	55W - 90W
03	60-80 V	700-1100 mA	55W - 90W
04	80-100 V	600-900 mA	55W - 90W
05	100-120 V	500-750 mA	55W - 90W
06	120-140 V	300-700 mA	55W - 90W
07	140-160 V	300-600 mA	55W - 90W

NOTE : Potted with Regular Wire & Non Potted with Connector.

### Dimensional Details



### RIGEL - X5 LED Driver - CC



Note: Product Images are for reference only, Screen image change with respect to product specification.

### Technical Specifications

Operating input voltage range	: 110-300 Vac; 50/60 Hz; 140-300 Vdc
Over voltage protection	: Yes. 320 Vac ( +/- 10 V )
Under voltage protection	: Yes. 110 Vac ( +/- 10 V )
Thermal protection	: Yes. 110°C +/- 10°C
THD	: < 10%
Efficiency	: > 88%
PF	: > 0.98
Standard loss	: 0.3 Watt
Withstand Voltage	: 440 Vac
Working temperature (ta)	: -20°C to +65°C
Case temperature (tc)	: +85°C
SAFETY standards	: IS 15885 (PART2/SEC13), IEC 61347-2-13: Ed1206-5 IEC 60950, IS 16104
Connections	: Connector for Input & Output
Dimension (L*W*H)(MM)	: 251*33*27

### Features

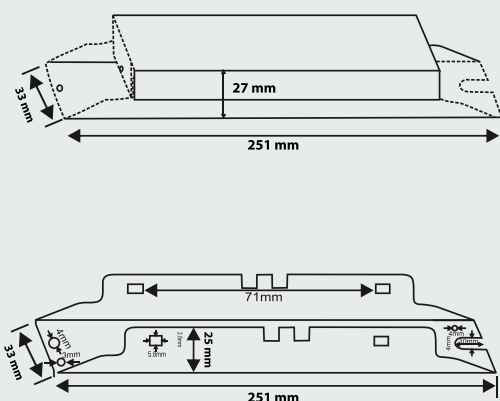
- Protection : Output Short Circuit, Over Voltage, Under Voltage, No Load
- Built-in active PFC function
- IP 20 design Universal AC input (up to 300 Vac)/full range
- Meet 6 KV surge immunity level ( IEC61000- 4-5 )
- Class I power units / pass LPS
- Suitable for dry, damp & wet location
- Suitable for Indoor/Outdoor LED lighting
- Flicker free Driver
- Optional Dimming: 1-10V/PWM
- 3/5 Years warranty

### Electrical Specifications

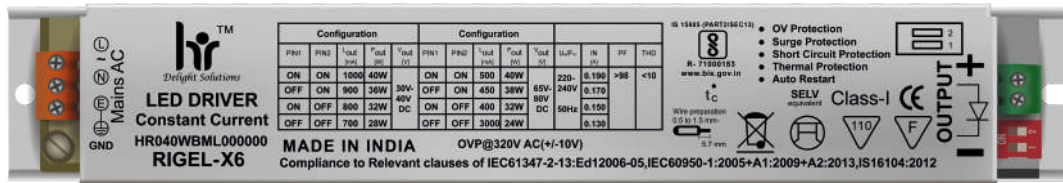
#### RIGEL - X5 ( Input 50-65 watt )

Serial Number	Output Voltage Min- Max	Output Current Min- Max	Output Wattage Min- Max
01	25-40 V	1200-1500 mA	50W - 60W
02	40-60 V	1200-1000 mA	50W - 60W
03	60-80 V	600-700 mA	50W - 60W

### Dimensional Details



### RIGEL - X6 LED Driver - CC



Note: Product Images are for reference only, Screen image change with respect to product specification.

### Technical Specifications

Operating input voltage range : 100-300 Vac; 50/60 Hz; 140-300 Vdc  
 Over voltage protection : Yes. 320 Vac ( +/- 10 V )  
 Under voltage protection : Yes. 110 Vac ( +/- 10 V )  
 Thermal protection : Yes. 110°C +/- 10°C  
 THD : < 10%  
 Efficiency : > 88%  
 PF : > 0.98  
 Standard loss : 0.3 Watt  
 Withstand Voltage : 440 Vac  
 Working temperature (ta) : -20°C to +65°C  
 Case temperature (tc) : +85°C  
 SAFETY standards : IS 15885 (PART2/SEC13),  
 IEC 61347-2-13:  
 Ed1206-5 IEC 60950, IS 16104  
 Connections : Connector for Input & Output  
 Dimension (L\*W\*H)(MM) : 202.5\*31.5\*27

### Features

- Protection : Output Short Circuit, Over Voltage, Under Voltage, No load
- Built-in active PFC function
- IP 20 design Universal AC input (up to 300 Vac)/full range
- Meet 4 KV surge immunity level ( IEC61000- 4-5 )
- Class I power units / pass LPS
- Current adjustable (DIP switch)

Configuration					Configuration				
PIN1	PIN2	I <sub>out</sub> (mA)	P <sub>out</sub> (W)	V <sub>out</sub> (V)	PIN1	PIN2	I <sub>out</sub> (mA)	P <sub>out</sub> (W)	V <sub>out</sub> (V)
ON	ON	1000mA	40W	30V-40Vdc	ON	ON	500mA	40W	65V-80Vdc
OFF	ON	900mA	36W		OFF	ON	450mA	36W	
ON	OFF	800mA	32W		ON	OFF	400mA	32W	
OFF	OFF	700mA	28W		OFF	OFF	300mA	24W	

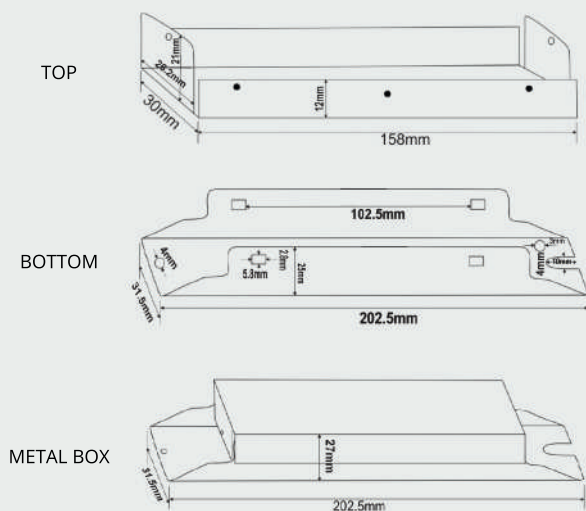
- Suitable for Indoor/Outdoor LED application
- User flexibility with four different output currents from one driver. Flexible current selection via DIP switch.
- 3/5 Years warranty

### Electrical Specifications

#### RIGEL - X6 ( Input 25-45 watt )

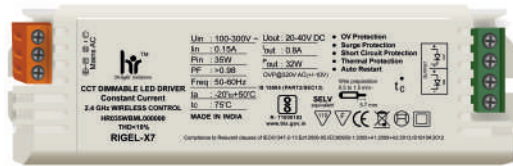
Serial Number	Output Voltage Min- Max	Output Current Min- Max	Output Wattage Min- Max
01	25-40 V	500-1000 mA	20W - 40W
02	40-60 V	500-650 mA	20W - 40W
03	60-80 V	300-500 mA	20W - 40W

### Dimensional Details





### RIGEL - X7 LED Driver - CC

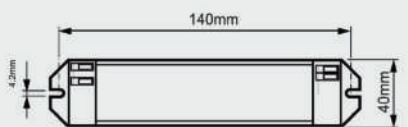


Note: Product Images are for reference only, Screen image change with respect to product specification.

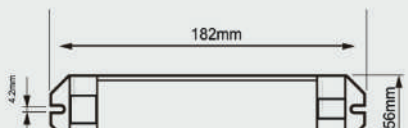
### Technical Specifications

Voltage (Un)	: 240 Vac
Operating Voltage Range	: 110 ~300Vac
Frequency (Hz)	: 50 / 60 Hz
Maximum Input Current	: 0.6A
Input Power (W)	: 60W
Output Voltage Range	: 40-60V
Maximum Output Current	: 1000mA (Total Including Both Channels)
Power Factor @Full Load(PF)	: > 0.95
Power Factor @50% load (PF)	: >0.90
THD @Full Load	: <10%
THD @50% Load	: <20%
Efficiency	: >85%
Over Voltage Cutoff	: 320V (Tole - +/-10V)
Automatic Restart	: 300V
Driver Life	: 30000 Hrs Ta = 40Deg Tc = 85Deg
Dimension (L*W*H)(MM)	: 188*54*37 (Plastic Body) - 30-60 W 150*40*28 (Plastic Body) - 18-30 W

### Dimensional Details



Plastic Body



Plastic Body

### Features

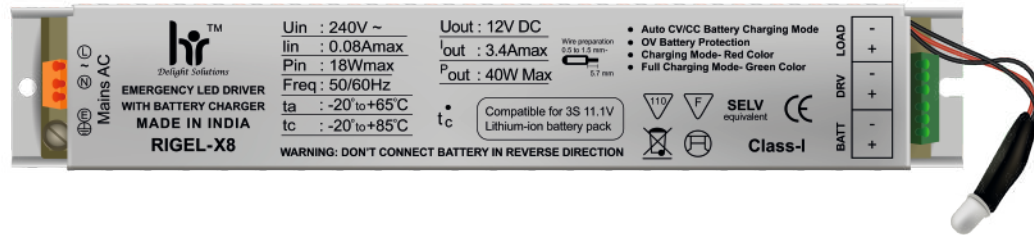
- Protection : Output Short Circuit, Over Voltage, No Load
- Wireless dimmable and CCT tunable
- Wireless Dimming and CCT tuning by RF-2.4G Remote Controllers
- No need install control wire and other controllers
- Meet 4 KV surge immunity level ( IEC61000- 4-5 )
- Groups control: 100 groups individually
- 4 Step dimming and CCT adjusting
- Step-less dimming and CCT Adjusting
- 3/5 years warranty

### Electrical Specifications

#### RIGEL - X7 CCT Linear ( Input 40-60 Watt )

Serial Number	Output Voltage Min- Max	Output Current Min- Max	Output Wattage Min- Max
01	30-40 V	800-1200 mA	30W-45W
02	40-55 V	800-1000 mA	45W-55W
03	30-40 V	500-750 mA	18-30W
04	40-55 V	300-600 mA	18-30W

### RIGEL - X8 LED Driver



Note: Product Images are for reference only, Screen image change with respect to product specification.

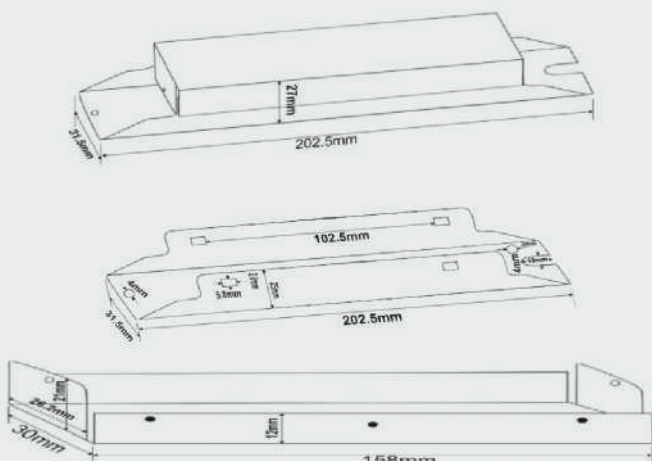
### Technical Specifications

Operating input voltage range	: 100-300 Vac; 50/60 Hz
Over current protection	: (+/-) 3% of Rated O/P Current
Thermal protection	: Yes. 110°C +/- 10°C
Withstand Voltage	: 440 Vac
Working temperature (ta)	: -20°C to +65°C
Case temperature (tc)	: +85°C
Safety standards	: IS 15885 (PART2/SEC13), IEC 61347-2-13
Connections	: Push Connectors
Dimension (L*W*H)(MM)	: 202.5*31.5*27

### Features

- Protection : Output Short Circuit, No load
- IP 20 design Universal AC input (up to 300 Vac)/full range
- Meet 4 KV surge immunity level ( IEC61000- 4-5 )
- Compatible with 3S & 4S lithium-ion battery pack
- Compatible with 3S & 4S lithium-ion ferrous phosphate pack
- Class I power units / pass LPS
- Charging and battery full indication
- 3/5 Years warranty

### Dimensional Details



### Electrical Specifications

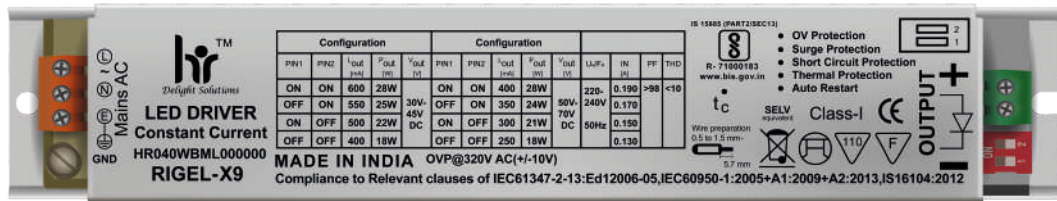
#### Rigel X8 (A)

Serial Number	Charging Voltage Min-Max	Charging Current Maximum	Output Power Min-Max
01	12-15 V	1200mA	18W

#### Rigel X8 (B)

Serial Number	Output Voltage Min-Max	Output Current Min-Max	Output Power Min-Max
01	12 V	1-5A	12W - 60W

# RIGEL - X9 LED Driver - CC

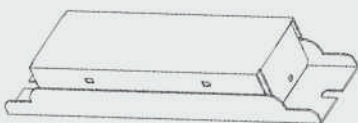


Note: Product Images are for reference only, Screen image change with respect to product specification.

## Technical Specifications

Operating input voltage range	: 100-300 Vac; 50/60 Hz; 140-300 Vdc
Over voltage protection	: Yes. 320 Vac ( +/- 10 V )
Under voltage protection	: Yes. 110 Vac ( +/- 10 V )
Thermal protection	: Yes. 110°C +/- 10°C
THD	: < 10%
Efficiency	: > 88%
PF	: > 0.98
Standard loss	: 0.3 Watt
Withstand Voltage	: 440 Vac
Working temperature (ta)	: -20°C to +65°C
Case temperature (tc)	: +85°C
SAFETY standards	: IS 15885 (PART2/SEC13), IEC 61347-2-13: Ed1206-5 IEC 60950, IS 16104
Connections	: Connector for Input & Output
Dimension (L*W*H)(MM)	: 155*32*26

## Dimensional Details



## Features

- Protection: Output Short Circuit, Over Voltage, Under Voltage, No load
- Built-In Active PFC Function
- IP20 Design Universal AC Input (Up to 300 Vac)
- Meet 4 KV Surge Immunity Level (IEC61000-4-5)
- Class I power unit / pass LPS
- Current adjustable (DIP switch)

Configuration					Configuration				
PIN1	PIN1	I <sub>out</sub> (mA)	P <sub>out</sub> (W)	V <sub>out</sub> (V)	PIN1	PIN1	I <sub>out</sub> (mA)	P <sub>out</sub> (W)	V <sub>out</sub> (V)
ON	ON	600mA	28W	30V-45Vdc	ON	ON	400mA	28W	50V-70Vdc
OFF	ON	550mA	25W		OFF	ON	350mA	24W	
ON	OFF	500mA	22W	30V-45Vdc	ON	OFF	300mA	21W	50V-70Vdc
OFF	OFF	400mA	18W		OFF	OFF	250mA	18W	

- Suitable for Indoor & Outdoor LED Lighting
- 3/5 Years Warranty

## Electrical Specifications

### RIGEL - X9 ( Input 15-30 watt )

Serial Number	Output Voltage	Output Current	Output Wattage
	Min- Max	Min- Max	Min- Max
01	25-40 V	300-750 mA	10W - 30W
02	40-60 V	300-550 mA	10W - 30W
03	50-70 V	300-450 mA	10W - 30W

### RIGEL - X10 LED Driver - CC



Note: Product Images are for reference only, Screen image change with respect to product specification.

### Technical Specifications

Operating input voltage range	: 100-300 Vac; 50/60 Hz; 140-300 Vdc
Over voltage protection	: Yes. 320 Vac ( +/- 10 V )
Thermal protection	: Yes. 110°C +/- 10°C
THD	: < 10%
Efficiency	: > 88%
PF	: > 0.98
Standard loss	: 0.3 Watt
Withstand Voltage	: 440 Vac
Working temperature (ta)	: -20°C to +65°C
Case temperature (tc)	: +85°C
SAFETY standards	: IS 15885 (PART2/SEC13), IEC 61347-2-13: Ed1206-5 IEC 60950, IS 16104
Connections	: Connector for Input & Output
Dimension (L*W*H)(MM)	: 202.5*31.5*27

### Features

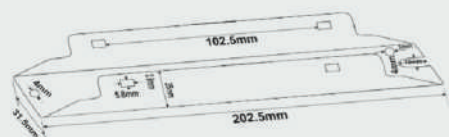
- Protection : Output Short Circuit, Over Voltage, No Load
- Built-in active PFC function
- IP 20 design Universal AC input (up to 300 Vac)/full range
- Meet 4 KV surge immunity level ( IEC61000- 4-5 )
- Class I power units / pass LPS
- Microwave Radar Sensor for Motion Detection  
Ideal 20% Dim after Sensing 100%
- 1) Radar induction  
2) Radar detection: catch body moving precisely  
3) Start fast & stable working
- Radar Sensor detection distance range: 3-8meters
- Suitable for dry, damp & wet location
- Suitable for Indoor/Clean room LED lighting applications
- 3/5 Years warranty

### Electrical Specifications

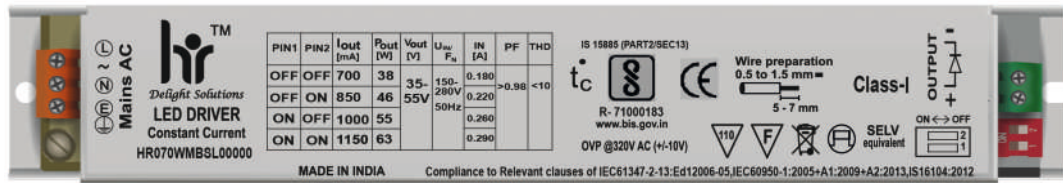
#### RIGEL - X10 Sensor Based ( Input 20-45 watt )

Serial Number	Output Voltage	Output Current	Output Wattage
	Min- Max	Min- Max	Min- Max
01	25-40 V	300-950 mA	20W - 40W
02	40-60 V	300-650 mA	20W - 40W
03	60-80 V	300-500 mA	20W - 40W

### Dimensional Details



### RIGEL - X11 LED Driver - CC



Note: Product Images are for reference only, Screen image change with respect to product specification.

### Technical Specifications

Operating input voltage range	: 120-300 Vac; 50/60 Hz;
AC Inrush Current(Max)	: Cold start,30 Amp. @230Vac
DC Adjustment Range	: ±3% Rated Output Voltage
Over Current Protection	: ± 5% of Rated O/P Current
Over Voltage Protection	: 320V±10Vac
Over Temp. Protection	:125°C ±10°C
Withstand Voltage	: 440 Vac
SAFETY standards	: IS 15885 (PART2/SEC13), IEC 61347-2-13:
Connections	: Connector for Input & Output
Dimension (L*W*H)(MM)	: 337*30*26

### Features

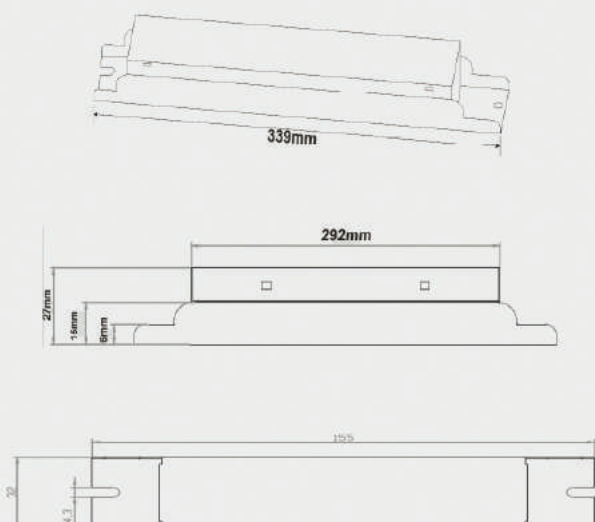
- Protection : Short Circuit, Over Current, Over Temp., Over Voltage.
- Built-in active PFC function
- IP 20 design Universal AC input (up to 300 Vac)
- Meet 4 KV surge immunity level ( IEC61000- 4-5 )
- Suitable for Indoor LED lighting
- Flickr free Driver Less than 5%
- 3 Years warranty

### Electrical Specifications

#### RIGEL - X11 ( Input 50-70 watt )

Serial Number	Output Voltage Min- Max	Output Current Min- Max	Output Power Min- Max
01	40-60 V	700-1150 mA	50W - 70W

### Dimensional Details



### COPELLA - X1 LED Driver-CC



Note: Product Images are for reference only, Screen image change with respect to product specification.

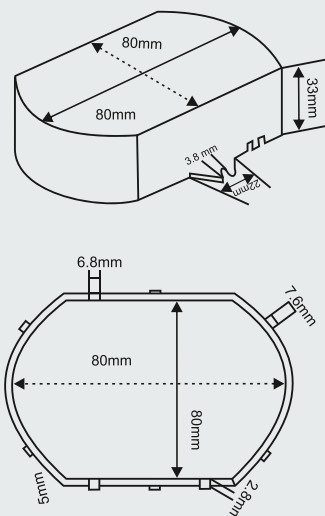
### Technical Specifications

Operating input voltage range	: 100-300 Vac; 50/60 Hz; 140-300 Vdc
Over voltage protection	: Yes. 320 Vac ( +/- 10 V )
Under voltage protection	: Yes. 110 Vac ( +/- 10 V )
Thermal protection	: Yes. 110°C +/- 10°C
THD	: < 10%
Efficiency	: > 88%
PF	: > 0.98
Standard loss	: 0.3 Watt
Withstand Voltage	: 440 Vac
Working temperature (ta)	: -20°C to +50°C
Case temperature (tc)	: +75°C
SAFETY standards	: IS 15885 (PART2/SEC13), IEC 61347-2-13; Ed1206-5 IEC 60950, IS 16104
Connections	: Wires for Input & Output
Dimension (L*W*H)(MM)	: 80*80*33

### Features

- Protection : Output Short Circuit, Over Voltage, Under voltage, No load
- Built-in active PFC function
- IP 20/65 design Universal AC input (up to 300 Vac)/full range
- Meet 4 KV surge immunity level ( IEC61000- 4-5 )
- Class 2 power unit / pass LPS
- Suitable for dry, damp & wet location
- Suitable for Indoor/Outdoor LED Application
- 3/5 Years warranty

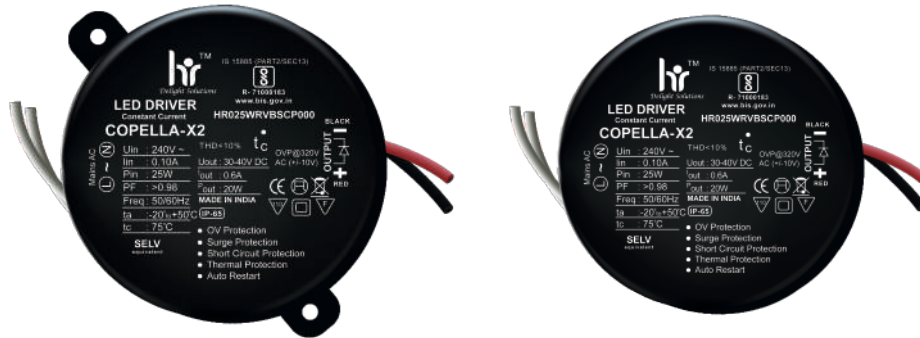
### Dimensional Details



### COPELLA - X1 ( Input 20-50 watt )

Serial Number	Output Voltage Min- Max	Output Current Min- Max	Output Wattage Min- Max
01	25-36 V	1000-1200 mA	20W - 45W
02	25-40 V	300-1100 mA	20W - 45W
03	40-60 V	300-650 mA	20W - 45W
04	60-80 V	300-550 mA	20W - 45W

### COPELLA - X2 LED Driver-CC

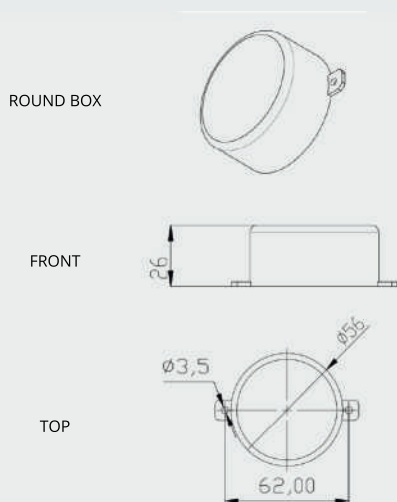


Note: Product Images are for reference only, Screen image change with respect to product specification.

### Technical Specifications

Operating input voltage range	: 100-300 Vac; 50/60 Hz; 140-300 Vdc
Over voltage protection	: Yes. 320 Vac ( +/- 10 V )
Under voltage protection	: Yes. 110 Vac ( +/- 10 V )
Thermal protection	: Yes. 110°C +/- 10°C
THD	: < 15%
Efficiency	: > 88%
PF	: > 0.95
Standard loss	: 0.3 Watt
Withstand Voltage	: 440 Vac
Working temperature (ta)	: -20°C to +50°C
Case temperature (tc)	: +75°C
SAFETY standards	: IS 15885 (PART2/SEC13), IEC 61347-2-13; Ed1206-5 IEC 60950, IS 16104
Connections	: Wires for Input & Output
Dimension (L*W*H)(MM)	: 62*26, 56(Dia) 50*23, 50(Dia)

### Dimensional Details



### Features

- Protection : Output Short Circuit, Over Voltage, Under voltage, No load
- Built-in active PFC function
- IP 20/65 design Universal input (up to 300 Vac)/full range
- Meet 4 KV surge immunity level ( IEC61000- 4-5 )
- Class 2 power units / pass LPS
- Suitable for dry, damp & wet location
- Suitable for Indoor / Outdoor LED lighting
- 3 Years warranty

### Electrical Specifications

#### COPELLA - X2 ( Input 10-25 watt )

Serial Number	Output Voltage Min- Max	Output Current Min- Max	Output Wattage Min- Max
01	15-24 V	300-550 mA	7W - 22W
02	25-40 V	150-450 mA	7W - 22W
03	30-50 V	150-350 mA	7W - 22W
04	50-70 V	200-300 mA	7W - 22W

### COPELLA - X3 LED Driver-CC



Note: Product Images are for reference only, Screen image change with respect to product specification.

### Technical Specifications

Operating input voltage range	: 100-300 Vac; 50/60 Hz; 140-300 Vdc
Over voltage protection	: Yes. 320 Vac ( +/- 10 V )
Under voltage protection	: Yes. 110 Vac ( +/- 10 V )
Thermal protection	: Yes. 110°C +/- 10°C
THD	: < 10%
Efficiency	: > 90%
PF	: > 0.98
Standard loss	: 0.3 Watt
Withstand Voltage	: 440 Vac
Working temperature (ta)	: -20°C to +65°C
Case temperature (tc)	: +85°C
SAFETY standards	: IS 15885 (PART2/SEC13), IEC 61347-2-13: Ed1206-5 IEC 60950, IS 16104
Connections	: Wires for Input & Output
Dimension (L*H)(MM)	: 130*45

### Features

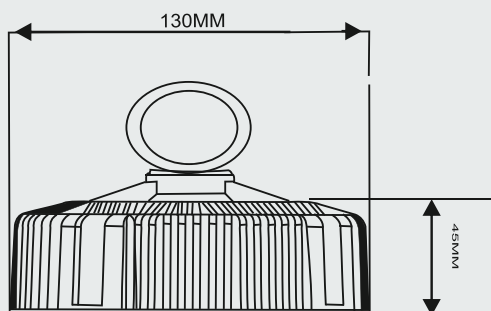
- Protection : Output Short Circuit, Over Voltage, Under voltage, No load
- Built-in active PFC function
- IP 65 design Universal AC input (up to 300 Vac)
- Meet 6 KV surge immunity level ( IEC61000- 4-5 )
- Class I power units / pass LPS
- Suitable for Indoor/Outdoor LED Lighting
- Optional Dimming: 1-10V/PWM
- 3/5 Years warranty

### Electrical Specifications

#### COPELLA - X3 ( Input 60-100 watt )

Serial Number	Output Voltage Min- Max	Output Current Min- Max	Output Wattage Min- Max
01	25-40 V	1400-2400 mA	55W -110W
02	40-60 V	1000-1800 mA	55W -110W
03	60-80 V	700-1300 mA	55W -110W
04	80-100 V	600-1000 mA	55W -110W
05	100-120 V	500-800 mA	55W -110W
06	120-140 V	300-700 mA	55W -110W
07	140-160 V	300-700 mA	55W -110W

### Dimensional Details





### COPELLA - X4 LED Driver-CC



Note: Product Images are for reference only, Screen image change with respect to product specification.

### Technical Specifications

Operating input voltage range	: 100-300 Vac; 50/60 Hz; 140-300 Vdc
Over voltage protection	: Yes. 320 Vac ( +/- 10 V )
Under voltage protection	: Yes. 110 Vac ( +/- 10 V )
Thermal protection	: Yes. 110°C +/- 10°C
THD	: < 10%
Efficiency	: > 88%
PF	: > 0.98
Standard loss	: 0.3 Watt
Withstand Voltage	: 440 Vac
Working temperature (ta)	: -20°C to +65°C
Case temperature (tc)	: +85°C
SAFETY standards	: IS 15885 (PART2/SEC13), IEC 61347-2-13: Ed1206-5 IEC 60950, IS 16104
Connections	: Wires for Input & Output
Dimension (L*H)(MM)	: 190*75

### Features

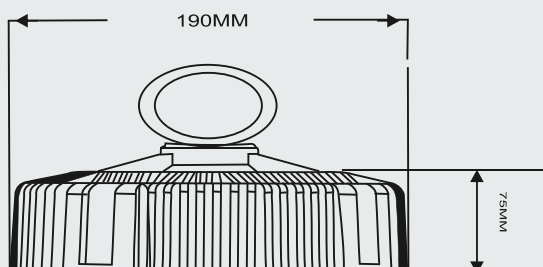
- Protection : Output Short Circuit, Over Voltage, Under voltage, No load
- Built-in active PFC function
- IP 65 design Universal AC input (up to 300 Vac)
- Meet 6 KV surge immunity level ( IEC61000- 4-5 )
- Class I power units / pass LPS
- Suitable for Indoor/Outdoor LED Lighting
- Optional Dimming: 1-10V/PWM
- 3/5 Years warranty

### Electrical Specifications

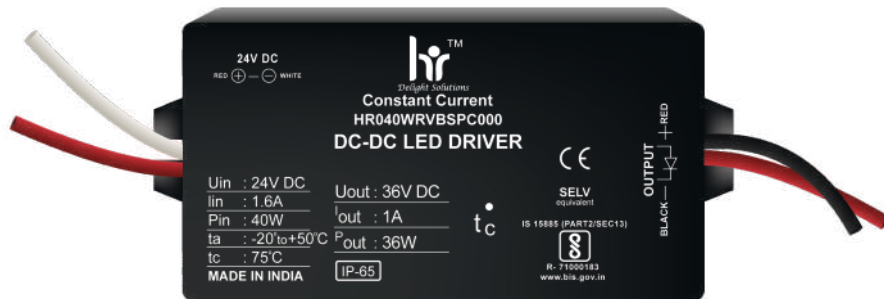
#### COPELLA - X4 ( Input 100-180 watt )

Serial Number	Output Voltage Min- Max	Output Current Min- Max	Output Wattage Min- Max
01	45-60 V	2000-2800mA	125 -170W
02	60-80 V	1500-1800mA	125 -170W
03	80-100 V	1000-1700mA	125 -170W
04	100-120 V	1000-1400mA	125 -170W
05	120-140 V	1000-1200mA	125 -170W
06	140-160 V	800-1000mA	125 -170W
07	160-180 V	500-800mA	125 -170W
08	200-210 V	500-750mA	125 -170W

### Dimensional Details



### DC-DC LED Driver



Note: Product Images are for reference only, Screen image change with respect to product specification.

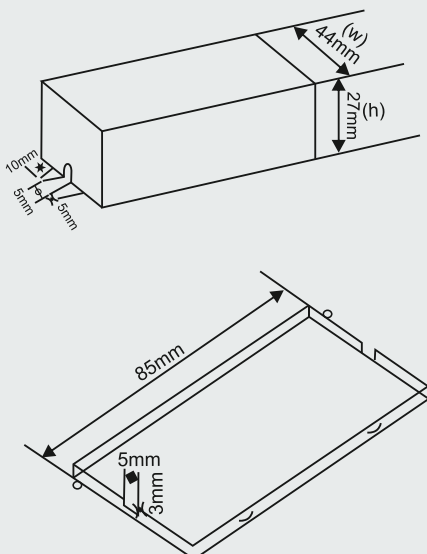
### Technical Specifications

Voltage (Un)	: 12Vdc / 24 Vdc
Operating input voltage range	: 12V ~24Vdc
Minimum Starting Temp. (ta)	: -20°C to +50°C
Maximun ambient Temp. (tc)	: +75°C
Connections	: Wires for Input & Output
Dimension (L*W*H)(MM)	: 105*46*30

### Features

- Protection : Short Circuit, No load
- Thermal Protection
- Operates in boost topology
- IP20/65 Design DC Input Up to 30Vdc
- Suitable for Indoor/Outdoor LED Application
- 3/5 Years warranty

### Dimensional Details

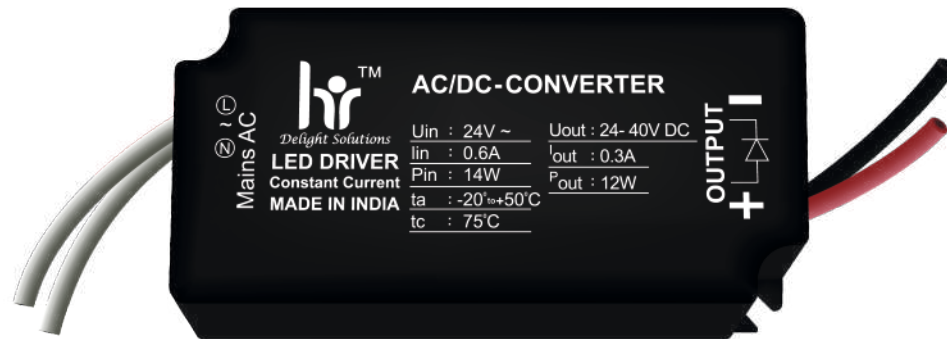


### Electrical Specifications

#### DC-DC LED Driver ( Input 25 - 45 watt )

Serial Number	Output Voltage Min- Max	Output Current Min- Max	Output Wattage Min- Max
01	30-40 V	500-1000 mA	40W

## AC/DC CONVERTER LED Driver



Note: Product Images are for reference only, Screen image change with respect to product specification.

### Input Characteristics

Voltage (Un)	: 24VAC/DC; 50/60Hz
Operating Voltage Range	: 15~30 VAC/DC
Maximum Input Current	: 0.62A
Input Power (W)	: 18W max

### Output Characteristics

Thermal Protection	: Yes
Maximum Output Current	: 400mA
Output Voltage	: 30-45Vdc
Output Power (W)	: 15W max

#### 1. PCB Dimensions

• Length	: 65mm
• Center to Center (CTC)	: 67mm
• Width	: 31mm
• Height	: 30mm

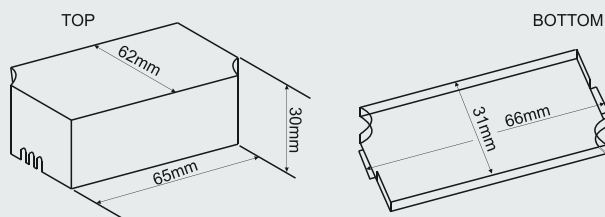
#### 2. Input/Output Terminals

• Input Wire (Both line and Neutral-Red)	: 130mm
• Output Wire (Positive-Red & Negative-Black)	: 130mm

### Environmental Operating Details

Minimum Starting Temperature (t <sub>a</sub> )	: -20°C to +50°C
Maximum ambient Temperature (t <sub>c</sub> )	: +75°C

### Dimensional Details



### Features

- Constant Current LED Driver
- Operates in boost topology
- IP20/65 design
- 3 Years warranty

### Key Features

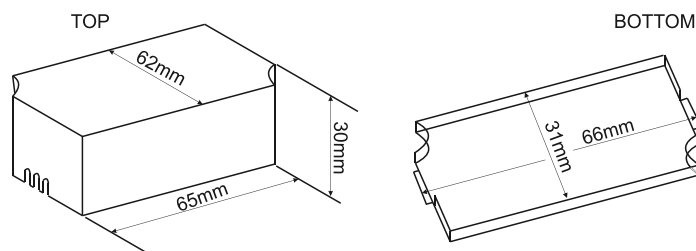
- Compact Design
- Constant Current
- Long Life
- Cost Effective
- High Durability
- High Reliability



### Features

- IP20/65 design
- Good Reliability
- High sensitivity
- Fast response
- Made by semi-conductor material
- Auto dusk to down operations
- Conductance changes with luminance variation

### Dimensional Details



### Characteristics

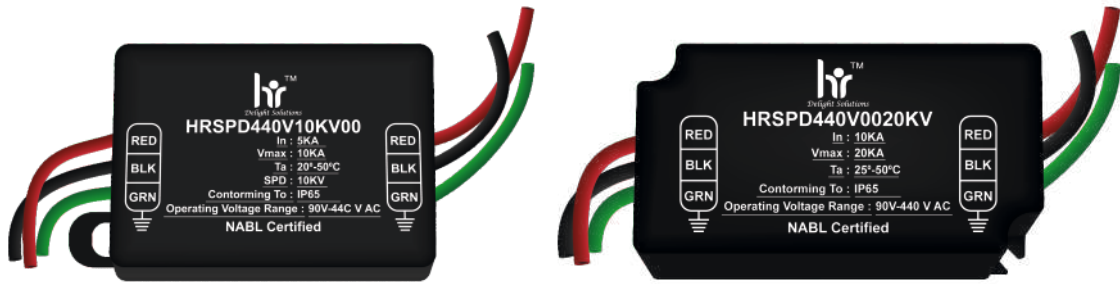
- On day time the typical resistance : 2K $\Omega$  -10K $\Omega$
- On night time the typical resistance : 0.5M $\Omega$  -1.5M $\Omega$
- On day time the typical voltage : 4V - 6V
- On night time the typical voltage : 9V - 13V
- Power consumption day time : up - 0.3W

### Sensor Characteristics

#### LDR Module

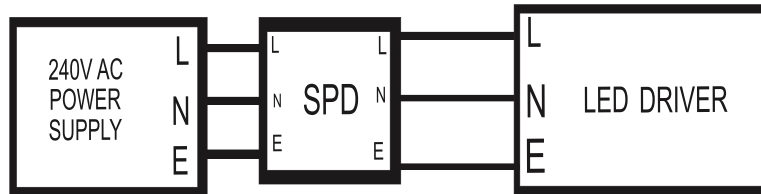
Light Resistance (10 Lux) (K $\Omega$ )	Dark Resistance (M $\Omega$ )	Y	Response Time	
			Increase	Decrease
5-10	0.5	0.5	30	30
10-20	1	0.6	20	30
20-30	2	0.6	20	30
30-50	3	0.7	20	30
50-100	5	0.8	20	30
100-200	10	0.9	20	30

SPD  
Special Applications

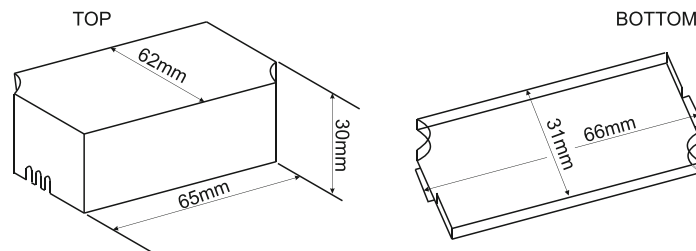


### Features

- Surge Protector Device
- Suitable for high-voltage applications
- To protect equipment against high spike
- Induction over voltage and switching over voltage as per standard IS16104



### Dimensional Details

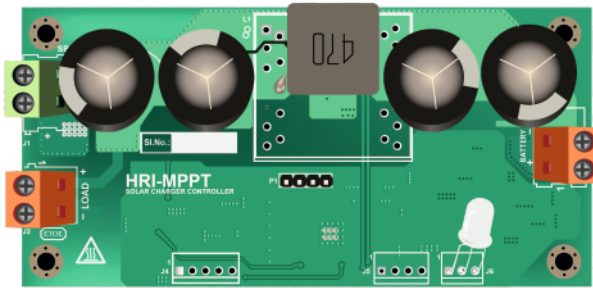


### Mechanical Details

SPECIFICATIONS	5KV	10KV	20KV
Max Continuous Operating Voltage	50V to 440AC	50V to 440AC	50V to 440AC
Nominal Discharge Current In (A)	2.5KA	5KA	10KA
Maximum Discharge Current I <sub>max</sub> (a)	5KA	10KA	20KA
Voltage Protection Level (Up)	L-N:1400/L-E:1200/N-E:1200	L-N:1400/L-E:1200/N-E:1200	L-N:1400/L-E:1200/N-E:1200
Connection Type	Series/Parallel	Series/Parallel	Series/Parallel
IP Rating	IP65	IP65	IP65
Short CKT Current Rating	2.5KA	5KA	10KA
Maximum Load Current I <sub>L</sub>	5KA	10KA	20KA
Humidity Range	5% to 95%	5% to 95%	5% to 95%
Operating Temperature	-20°C to +65°C	-20°C to +65°C	-20°C to +65°C
Storage Temperature	-20°C to +65°C	-20°C to +65°C	-20°C to +65°C
Insulation Resistance	>1000 M Ohm's	>1000 M Ohm's	>1000 M Ohm's
Dimensions (L*W*H)(MM)	65*35*30	65*35*30	112*47*38
Warranty	1 Year Warranty	1 Year Warranty	1 Year Warranty

Note: All above ratings are absolute maximum ratings. Stress above these ratings may cause permanent damage to the device

### HRI-MPPT60W LED Driver



Note: Product Images are for reference only, Screen image change with respect to product specification.

### Technical Specifications

Solar Panel-Open Circuit Voltage	: 30V MAX
Solar Panel-Max Power Point Voltage	: 16.70 - 18V
Solar Panel-Nominal Power	: 45W-150W
Charger Type	: MPPT CC/CV
Battery Type	: Li-Fe-PO4
Battery Charger Float Voltage	: 14.60VDC
Battery Over Charge Cut-off	: 14.70V
Battery Charger Efficiency	: 91-93%
LED Driver Efficiency	: 90-92%
Battery Under Voltage (Load Disconnect)	: 11.00-11.40V
Protections	: Battery Reverse Polarity, Reverse Flow of Current into / From SPV, Solar Panel Reverse Polarity, LED Load open Circuit, LED Load Short Circuit, Battery Under Voltage
Indications	: Charging under progress Charge Completed Battery Under Voltage
Connection	: Connector
Dimensions	: 120*45*30 mm

### Features

- Maximum Power Point Tracking (MPPT) charging technology
- Solar Street Light Driver with Integrated MPPT Charger
- Supports solar panels from 45 W to 150 W
- Auto dusk to down switching control
- Compatible With 4S lithium-ion ferrous phosphate Pack (Li-Fe-PO4)
- Charging and Battery Full Indication
- 4 Battery Charging Mode - Deep Discharge/Boost/Absorption/Trickle Mode
- Supports 6 to 36 W of LED power, with LED voltage of 24 V
- Greater than 90% Efficiency

### Electrical Specifications

#### HRI-60W MPPT (Li-Fe Po4 Battery Charging)

Serial Number	Battery Charge Voltage Min-Max	Maximum Charging Current	Output Power Max
01	16.40 V	5A	60W

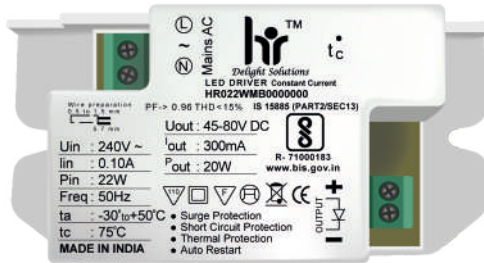
#### HRI-60W MPPT ( Output LED Load Driving )

Serial Number	Output Voltage Min- Max	Output Current Min- Max	Output Power Min- Max
01	20-30 V	250-1500 mA	6W - 36W

## HRI-Non Isolated LED Driver-CC



HRI 10-36W



HRI 8-22W



HRI 5-15W

Note: Product Images are for reference only, Screen image change with respect to product specification.

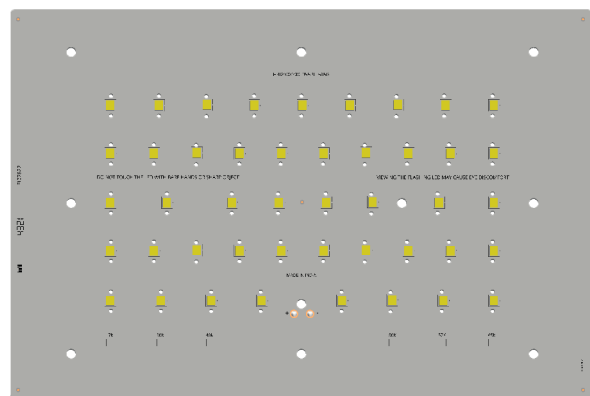
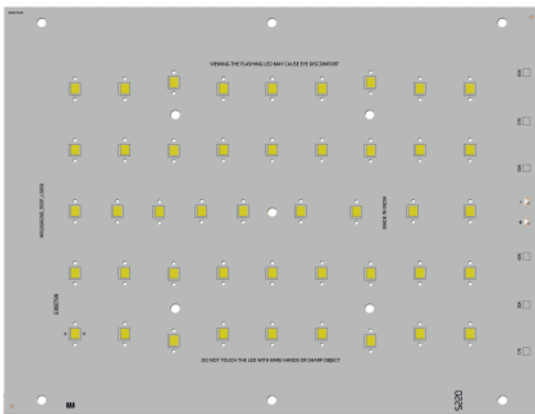
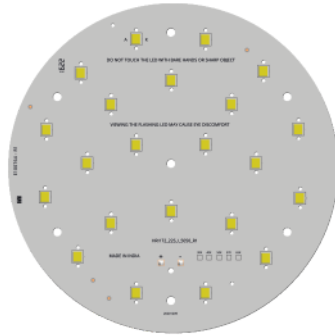
## Technical Specifications

SPECIFICATIONS	10-36W	8-22W	5-15W
Rating	50-100V/200-300mA	45-80V/ 200-300mA	40-80V/200-250mA
Operating I/P Voltage Range	120-300Vac; 50-60Hz	80-300Vac; 50-60Hz	80-280Vac; 50-60Hz
THD	<20%	<20%	<20%
Efficiency	>88%	>88%	>85%
PF	>0.95	>0.95	>0.95
Surge	4KV	2.5KV	1.5KV
Operating thermal temp. (tc)	75°C	75°C	75°C
Operating temp. Range (ta)	-30°C to +50°C	-30°C to +50°C	-30°C to +50°C
Over Temp. Protection	125°C +/- 10°C	125°C +/- 10°C	125°C +/- 10°C
Safety Standards	IS 15885 (PART2/SEC13), IEC 61347-2-13:	IS 15885 (PART2/SEC13), IEC 61347-2-13:	IS 15885 (PART2/SEC13), IEC 61347-2-13:
Connection	Wires For Input & Output	Connector For Input & Output	Wires For Input & Output
Dimensions (L*W*H)(MM)	101*44*31	89*39*27	52.5*26.5*21

## Features

- Protection : Short Circuit, No Load
- Built-in active PFC function
- IP 20 design Universal AC input ( up to 300 Vac )
- Meet 4 KV surge immunity level ( IEC61000- 4-5 )
- Suitable for Indoor LED lighting
- 3 Years warranty

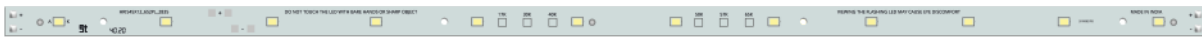
## HRI-LED Modules



### LED Module Application

- Down Light
- Street Light
- Flood Light
- Highbay Light
- Well Glass Light





### LED Module Application

- 2\*2 Light
- Clean room light
- Tube Light
- Linear Light



Note: Product Images are for reference only, Screen image change with respect to product specification.

### Technical Specifications

Operating input voltage range	: 100-300 Vac; 50/60 Hz; 140-300 Vdc
Over voltage protection	: Yes. 320 Vac ( +/- 10 V )
Thermal protection	: Yes. 110°C +/- 10°C
THD	: < 10%
Efficiency	: > 80%
PF	: > 0.98
Standard loss	: 0.3 Watt
Withstand Voltage	: 440 Vac
Working temperature (ta)	: -20°C to +65°C
Case temperature (tc)	: +85°C
SAFETY standards	: IS 15885 (PART2/SEC13), IEC 61347-2-13:
Connections	: Wires for Input & Output

### Features

- Protection : Output Short Circuit, Over Voltage, Under Voltage, No load
- Built-in active PFC function
- IP65 design Universal AC input (up to 300 Vac)
- Meet 6 KV surge immunity level ( IEC61000- 4-5 )
- Class I power units / pass LPS
- Suitable for Outdoor LED Lighting / LED Strips
- 3/5 Years warranty
- EV Charger use for 2 Wheeler 3 Wheeler & also 4 Wheeler

#### E-2W



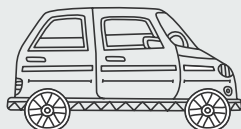
#### E-3W

(passenger/ goods)



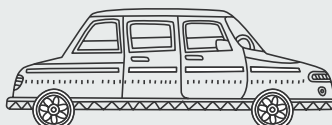
#### E-cars

(1st generation)



(2nd generation)

#### E-cars



### Electrical Specifications

#### EV CHARGER (A) (Input 400 Watt)

Serial Number	Output Voltage Min- Max	Output Current Min- Max	Output Wattage Min- Max
01	48Vdc	5A	240W
02	60Vdc	5A	300W
03	72Vdc	5A	360W

### Electrical Specifications


#### EV CHARGER (B) (Input 750 Watt)


Serial Number	Output Voltage Min- Max	Output Current Min- Max	Output Wattage Min- Max
01	48Vdc	10A	480W
02	60Vdc	10A	600W
03	72Vdc	10A	720W





---

 Sr. Gat No. 08, A/P. Sasewadi,  
Near Z.P. school, Taluka- Bhor, Dist.- Pune - 412205  
Maharashtra (India)

 +91 9049378851 | +91 9359273292 | +91 8668334832

 [www.hrindustry.net](http://www.hrindustry.net)

 [marketing@hrindustry.net](mailto:marketing@hrindustry.net) | [hrindustry12@outlook.com](mailto:hrindustry12@outlook.com)

---



Follow us on social media